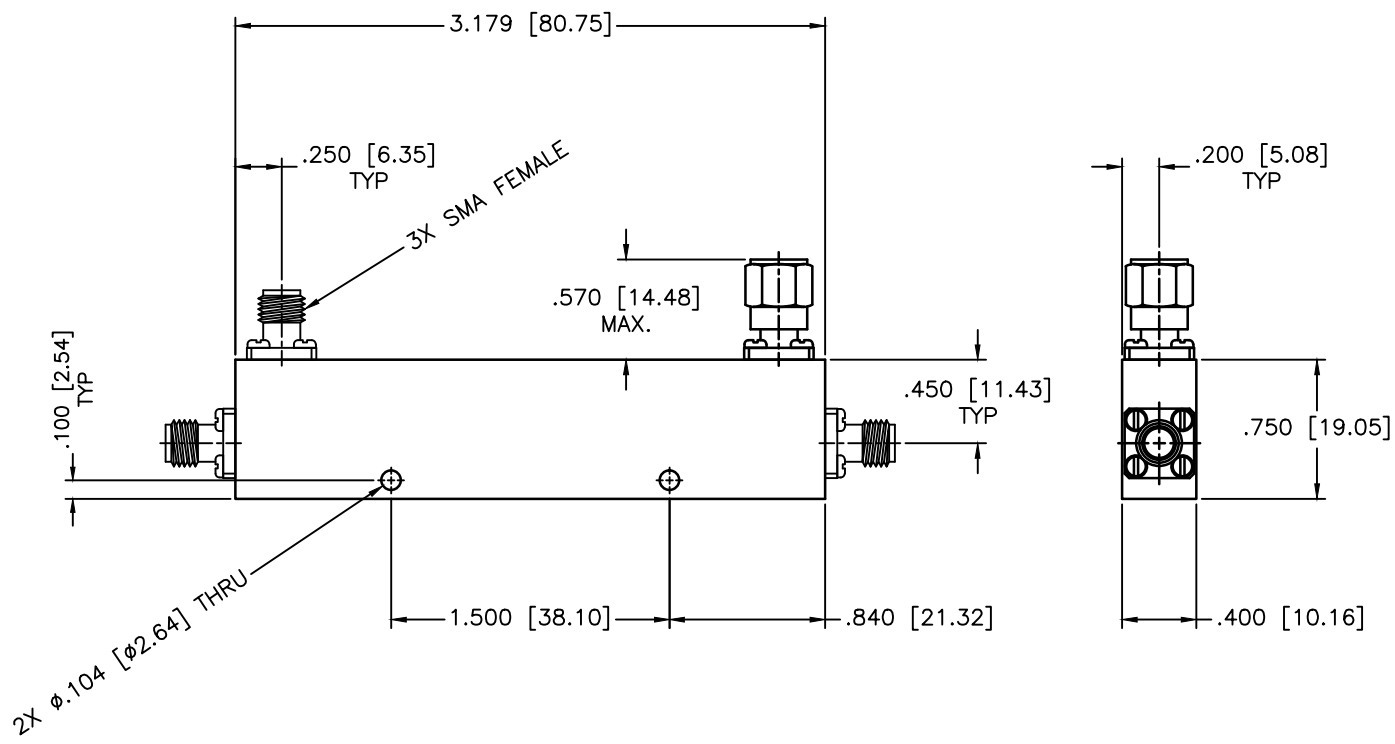


REVISIONS				
ZONE	REV	DESCRIPTION	DATE	APPROVED



SPECIFICATIONS

Frequency Range: 0.5–1.0 GHz
 VSWR: 1.20:1 Max.
 Coupling: 30±1.25dB
 Insertion Loss: 0.2dB Max.
 Directivity: 25dB Min.
 Frequency Sensitivity: ±0.75dB
 Power Incident, Reflected: 50W, 50W, 3kW Peak

MATERIAL:	
DRAWN: Paiboon Luekhamhan	DATE: 04-16-1998
APPROVED: T. Nguyen	DATE: 04-16-1998

	MICROWAVE COMMUNICATIONS LABORATORIES INC. 7255 30TH AVE. N. SAINT PETERSBURG, FL 33710 TEL: (727) 344-6254 FAX: (727) 381-6116 http://WWW.MCLI.COM		SCALE: N/A
	UNLESS OTHERWISE SPECIFIED: TOLERANCES IN (INCHES) OR [mm] (MILLIMETERS) FRACTIONS: ± 1/64 DECIMALS: ±.01 ±.005 ANGLE: ±1/2°		SHEET: N/A
DRAWING TITLE: DIRECTIONAL COUPLER		PART NO. C40-30	
CAGE CODE: OD2L5	SIZE: A	REV: N/A	DWG NO. 82084
DO NOT SCALE THE DRAWING			