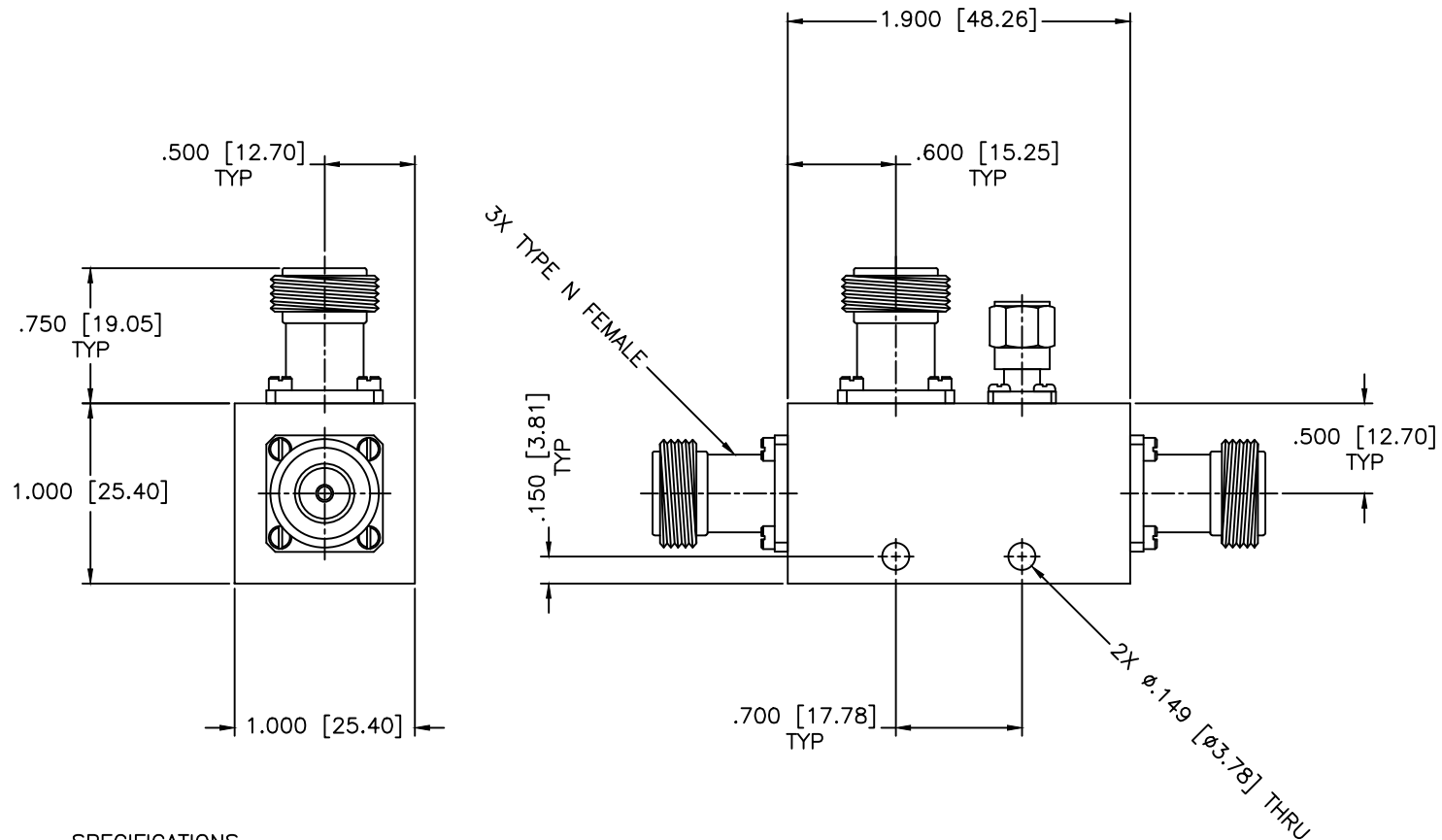


REVISIONS				
ZONE	REV	DESCRIPTION	DATE	APPROVED



SPECIFICATIONS

Frequency Range: 2.6–5.2 GHz
 Coupling: 10±1.25dB
 Frequency Sensitivity: ±0.75dB
 Insertion Loss: 0.8dB Max.
 Directivity: 18dB Min.
 VSWR: 1.40:1 Max.
 Power Incident, Reflected: 50W, 5W, 3kW Peak

MATERIAL:		MICROWAVE COMMUNICATIONS LABORATORIES INC. 7255 30TH AVE. N. SAINT PETERSBURG, FL 33710 TEL: (727) 344-6254 FAX: (727) 381-6116 http://WWW.MCLI.COM		SCALE: N/A
				SHEET: N/A
UNLESS OTHERWISE SPECIFIED: TOLERANCES IN (INCHES) OR [mm] (MILLIMETERS) FRACTIONS: ± 1/64 DECIMALS: ±.01 ±.005 ANGLE: ±1/2°		DRAWING TITLE: DIRECTIONAL COUPLER		
DRAWN: Paiboon Luekhamhan		PART NO. C4-10/NF		
DATE: 11-11-1997	DATE: 11-11-1997	CAGE CODE: OD2L5	SIZE: A	REV: N/A
APPROVED: T. Nguyen	DATE: 11-11-1997	DO NOT SCALE THE DRAWING		DWG NO. 80399



UNLESS OTHERWISE SPECIFIED:
TOLERANCES
IN (INCHES) OR [mm] (MILLIMETERS)
FRACTIONS: ± 1/64
DECIMALS: ±.01 ±.005
ANGLE: ±1/2°

PROPRIETARY NOTICE:
THE INFORMATION IN THIS DRAWING IS PROPRIETARY
AND SHALL NOT BE USED OR DISCLOSED WITHOUT WRITTEN
PERMISSION FROM MICROWAVE COMMUNICATIONS
LABORATORIES INC. (MCLI)

THIRD ANGLE PROJECTION

DRAWING TITLE:
DIRECTIONAL COUPLER

PART NO.
C4-10/NF

CAGE CODE:
OD2L5

SIZE:
A

REV:
N/A

DO NOT SCALE THE DRAWING

DWG NO.
80399