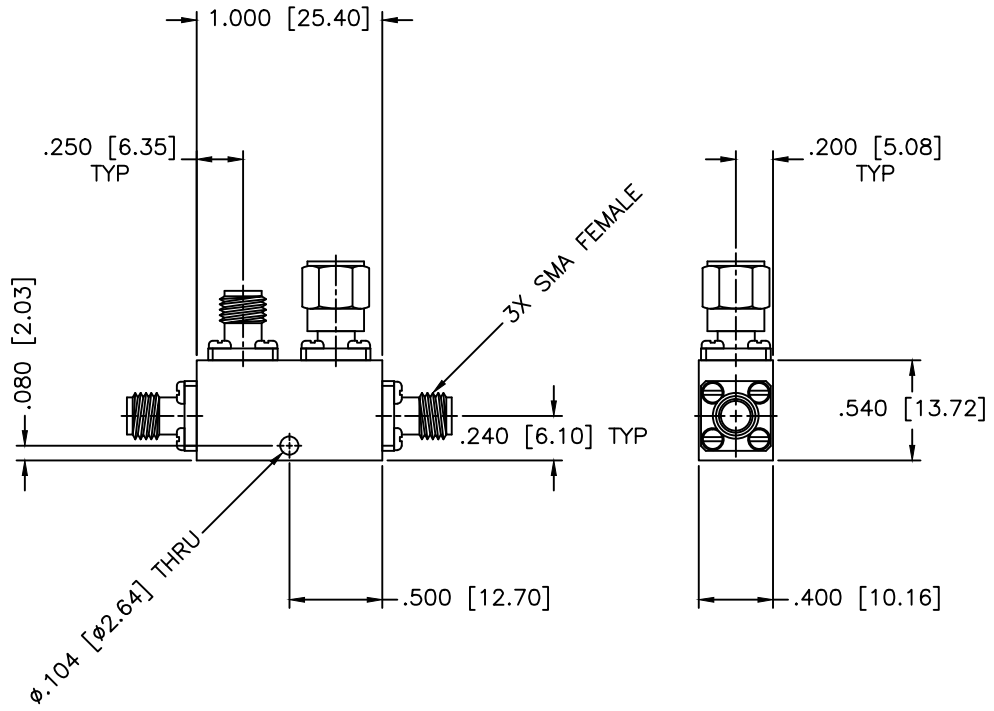


REVISIONS				
ZONE	REV	DESCRIPTION	DATE	APPROVED



**SPECIFICATIONS**

Frequency Range: 4–9.5 GHz  
 Coupling: 30±1.5dB  
 Frequency Sensitivity: ±.75dB  
 Insertion Loss: 0.45dB Max.  
 Directivity: 16dB Min.  
 VSWR: 1.50:1 Max.  
 Power Incident, Reflected: 50W, 50W, 1kW Peak

MATERIAL:		<b>MCLI</b> MICROWAVE COMMUNICATIONS LABORATORIES INC. 7255 30TH AVE. N. SAINT PETERSBURG, FL 33710 TEL: (727) 344-6254 FAX: (727) 381-6116 <a href="http://WWW.MCLI.COM">http://WWW.MCLI.COM</a>	SCALE:	N/A			
			SHEET:	N/A			
UNLESS OTHERWISE SPECIFIED: TOLERANCES IN (INCHES) OR [mm] (MILLIMETERS) FRACTIONS: ± 1/64 DECIMALS: ±.01 ±.005 ANGLE: ±1/2°		DRAWING TITLE:					
		DIRECTIONAL COUPLER					
DRAWN:		PART NO.					
Pai boon Luekhamhan		C39-30					
DATE:	10-01-1999	PROPRIETARY NOTICE: THE INFORMATION IN THIS DRAWING IS PROPRIETARY AND SHALL NOT BE USED OR DISCLOSED WITHOUT WRITTEN PERMISSION FROM MICROWAVE COMMUNICATIONS LABORATORIES INC. (MCLI)	CAGE CODE:	SIZE:	REV:	DWG NO.	
APPROVED:	T. Nguyen		DATE:	10-01-1999	OD2L5	A	N/A
		THIRD ANGLE PROJECTION		DO NOT SCALE THE DRAWING			