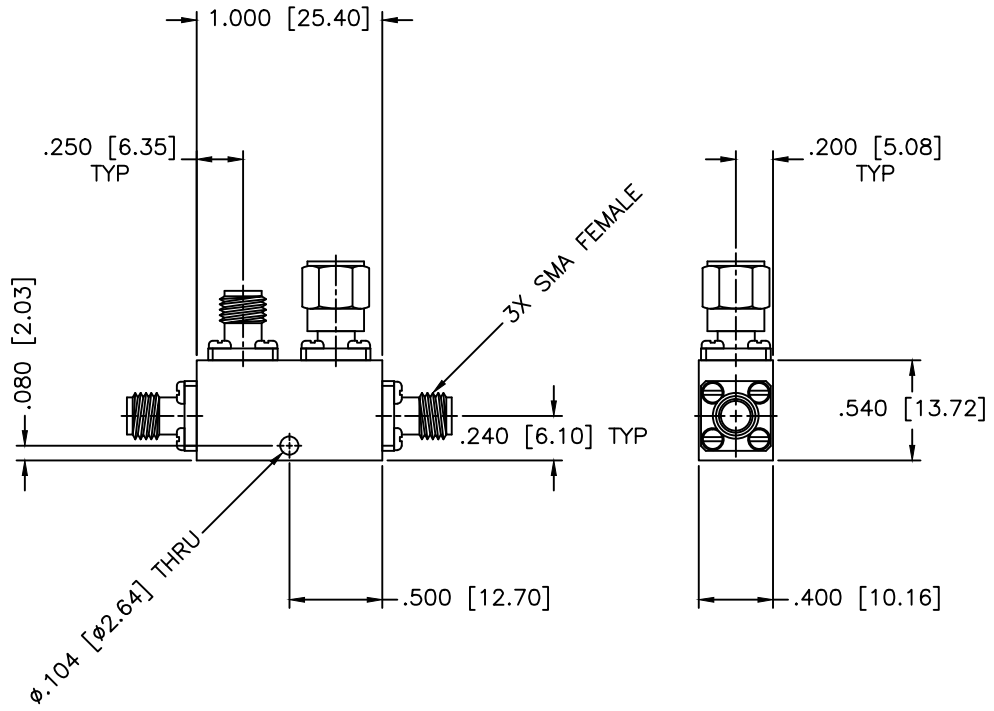


REVISIONS				
ZONE	REV	DESCRIPTION	DATE	APPROVED



SPECIFICATIONS

Frequency Range: 4–9.5 GHz
 Coupling: 20±1.5dB
 Frequency Sensitivity: ±.75dB
 Insertion Loss: 0.45dB Max.
 Directivity: 16dB Min.
 VSWR: 1.50:1 Max.
 Power Incident, Reflected: 50W, 50W, 1kW Peak

MATERIAL:		MICROWAVE COMMUNICATIONS LABORATORIES INC. 7255 30TH AVE. N. SAINT PETERSBURG, FL 33710 TEL: (727) 344-6254 FAX: (727) 381-6116 http://WWW.MCLI.COM	SCALE:	N/A
			SHEET:	N/A
		UNLESS OTHERWISE SPECIFIED: TOLERANCES IN (INCHES) OR [mm] (MILLIMETERS) FRACTIONS: ± 1/64 DECIMALS: ±.01 ±.005 ANGLE: ±1/2°	DRAWING TITLE: DIRECTIONAL COUPLER	
DRAWN: Paiboon Luekhamhan		DATE: 10-01-1999	PART NO. C39-20	
APPROVED: T. Nguyen		DATE: 10-01-1999	CAGE CODE: OD2L5	SIZE: A REV: N/A DWG NO. 81411 DO NOT SCALE THE DRAWING



PROPRIETARY NOTICE:
 THE INFORMATION IN THIS DRAWING IS PROPRIETARY
 AND SHALL NOT BE USED OR DISCLOSED WITHOUT WRITTEN
 PERMISSION FROM MICROWAVE COMMUNICATIONS
 LABORATORIES INC. (MCLI)

