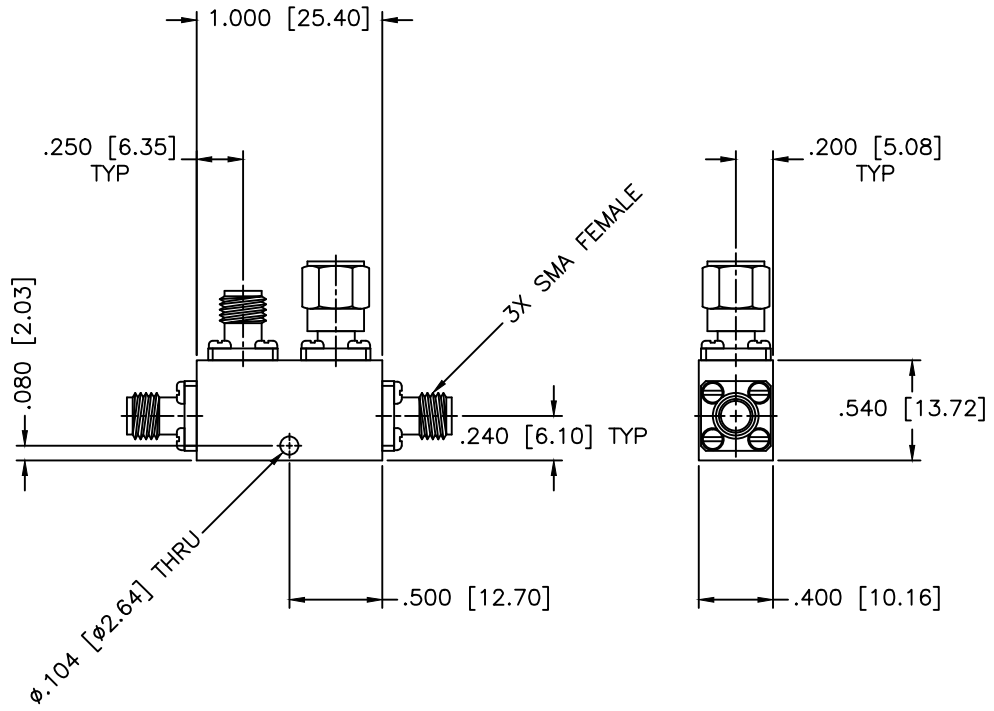


| REVISIONS |     |             |      |          |
|-----------|-----|-------------|------|----------|
| ZONE      | REV | DESCRIPTION | DATE | APPROVED |



**SPECIFICATIONS**

Frequency Range: 4–9.5 GHz  
 Coupling: 10±1.5dB  
 Frequency Sensitivity: ±.75dB  
 Insertion Loss: 1.3dB Max.  
 Directivity: 16dB Min.  
 VSWR: 1.50:1 Max.  
 Power Incident, Reflected: 50W, 5W, 1kW Peak

|                |       |   |  |       |            |          |
|----------------|-------|---|--|-------|------------|----------|
| MATERIAL:      |       |   | MICROWAVE COMMUNICATIONS LABORATORIES INC.<br>7255 30TH AVE. N. SAINT PETERSBURG, FL 33710<br>TEL: (727) 344-6254 FAX: (727) 381-6116<br>http://WWW.MCLI.COM |       | SCALE: N/A |          |
|                |       |   | UNLESS OTHERWISE SPECIFIED:<br>TOLERANCES<br>IN (INCHES) OR [mm] (MILLIMETERS)<br>FRACTIONS: ± 1/64<br>DECIMALS: ±.01 ±.005<br>ANGLE: ±1/2°                  |       | SHEET: N/A |          |
| DRAWING TITLE: |       | DIRECTIONAL COUPLER   |  |       |            |          |
| PART NO.:      |       | C39-10  |  |       |            |          |
| DRAWN:         | DATE: | PROPRIETARY NOTICE:<br>THE INFORMATION IN THIS DRAWING IS PROPRIETARY<br>AND SHALL NOT BE USED OR DISCLOSED WITHOUT WRITTEN<br>PERMISSION FROM MICROWAVE COMMUNICATIONS<br>LABORATORIES INC. (MCLI) | CAGE CODE:   | SIZE: | REV:       | DWG NO.: |
| APPROVED:      | DATE: |   | OD2L5  | A     | N/A        | 81410    |
|                |       |   | DO NOT SCALE THE DRAWING   |       |            |          |