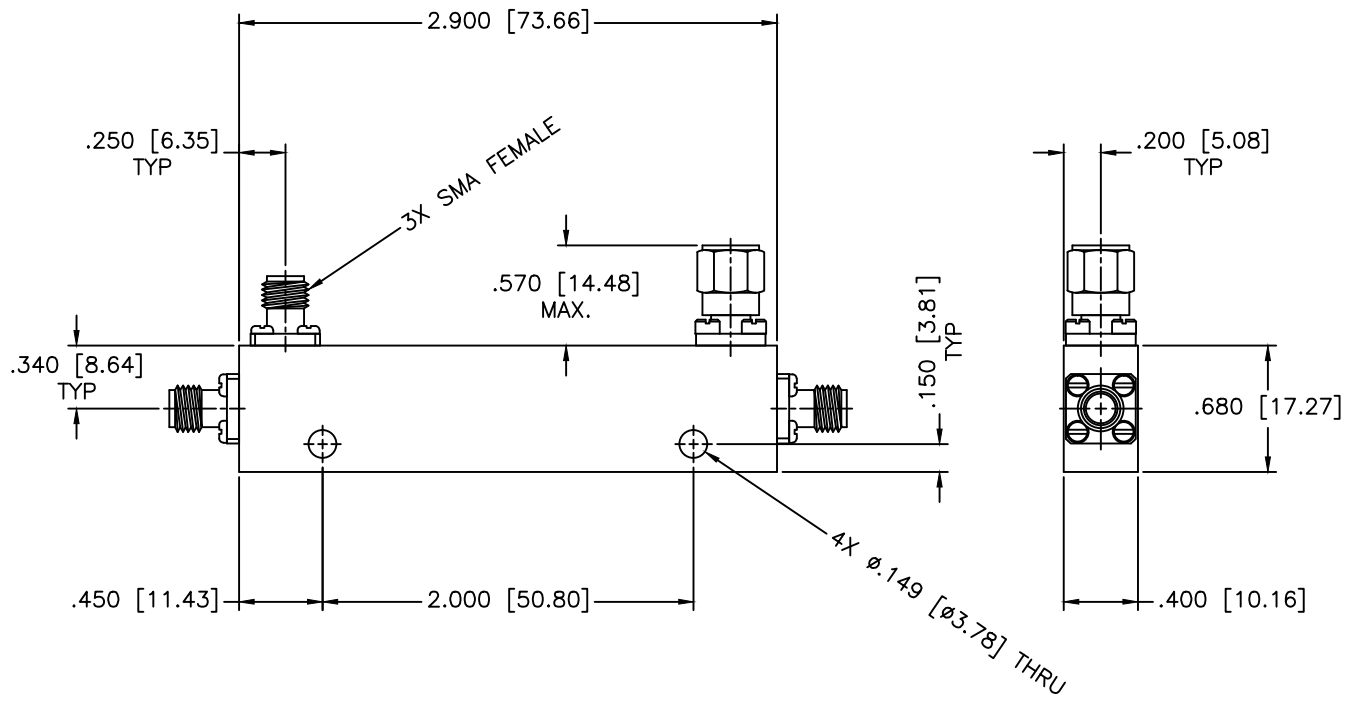


REVISIONS				
ZONE	REV	DESCRIPTION	DATE	APPROVED



**SPECIFICATIONS**

Frequency Range: 0.8–2.3 GHz  
 VSWR: 1.25:1 Max.  
 Coupling: 6±1.25dB  
 Insertion Loss: 2.0dB Max.  
 Directivity: 20dB Min.  
 Frequency Sensitivity: ±0.5dB  
 Power Incident, Reflected: 50W, 2W, 1kW Peak

MATERIAL:			MICROWAVE COMMUNICATIONS LABORATORIES INC. 7255 30TH AVE. N. SAINT PETERSBURG, FL 33710 TEL: (727) 344-6254 FAX: (727) 381-6116 http://WWW.MCLI.COM		SCALE:	N/A	
					SHEET:	N/A	
		UNLESS OTHERWISE SPECIFIED: TOLERANCES IN (INCHES) OR [mm] (MILLIMETERS) FRACTIONS: ± 1/64 DECIMALS: ±.01 ±.005 ANGLE: ±1/2°		DRAWING TITLE:			DIRECTIONAL COUPLER
DRAWN:		DATE:		PART NO.			C37-6
Pai boon Luekhamhan		10-01-1999		CAGE CODE:			OD2L5
APPROVED:		DATE:		SIZE:	REV:	DWG NO.	
T. Nguyen		10-01-1999		A	N/A	81416	
		PROPRIETARY NOTICE: THE INFORMATION IN THIS DRAWING IS PROPRIETARY AND SHALL NOT BE USED OR DISCLOSED WITHOUT WRITTEN PERMISSION FROM MICROWAVE COMMUNICATIONS LABORATORIES INC. (MCLI)		DO NOT SCALE THE DRAWING			
		THIRD ANGLE PROJECTION					