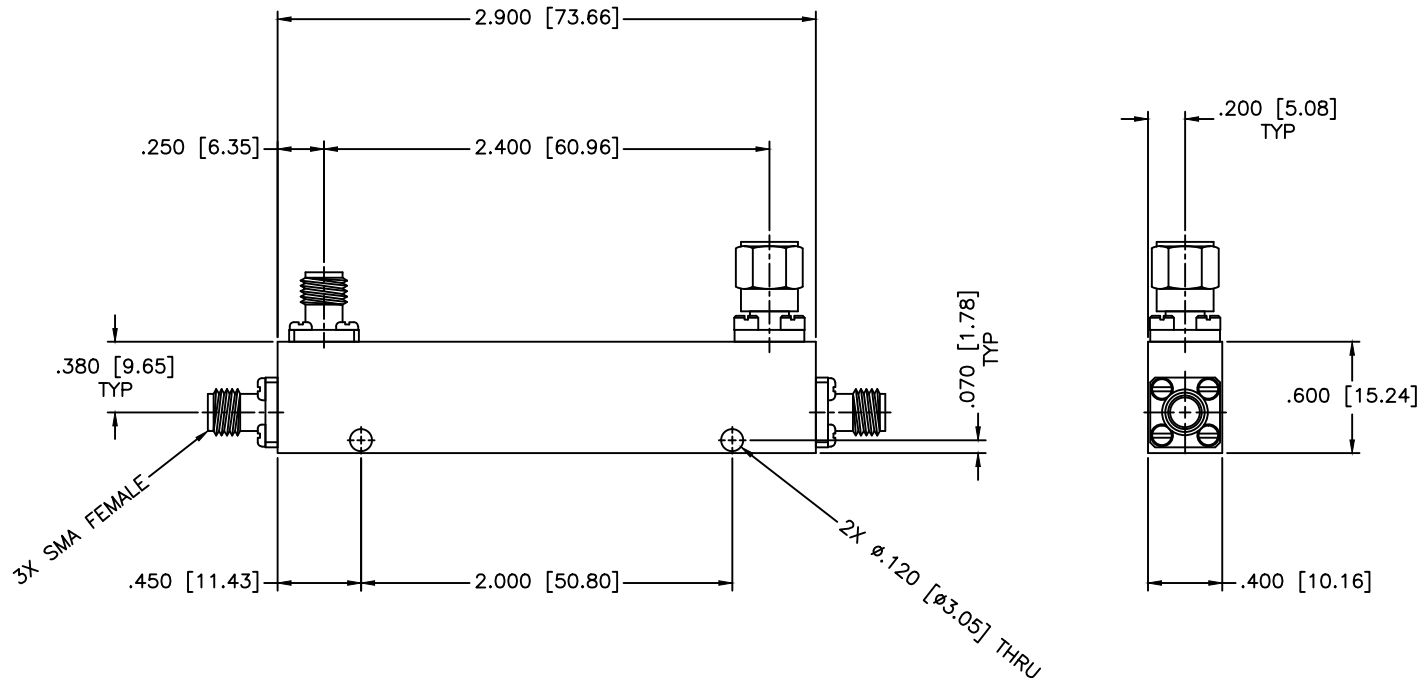


REVISIONS				
ZONE	REV	DESCRIPTION	DATE	APPROVED



**SPECIFICATIONS**

Frequency Range: 0.8–2.3 GHz  
 VSWR: 1.25:1 Max.  
 Coupling: 30±1.25dB  
 Insertion Loss: 0.45dB Max.  
 Directivity: 20dB Min.  
 Frequency Sensitivity: ±0.5dB  
 Power Incident, Reflected: 50W, 50W, 1kW Peak

MATERIAL:			MICROWAVE COMMUNICATIONS LABORATORIES INC. 7255 30TH AVE. N. SAINT PETERSBURG, FL 33710 TEL: (727) 344-6254 FAX: (727) 381-6116 http://WWW.MCLI.COM		SCALE:	N/A
			UNLESS OTHERWISE SPECIFIED: TOLERANCES IN (INCHES) OR [mm] (MILLIMETERS) FRACTIONS: ± 1/64 DECIMALS: ±.01 ±.005 ANGLE: ±1/2°		DRAWING TITLE:	DIRECTIONAL COUPLER
DRAWN:		DATE:		PART NO.		
Paiboon Luekhamhan		01-01-1999		C37-30		
APPROVED:		DATE:		CAGE CODE:	SIZE:	REV:
T. Nguyen		01-01-1999		OD2L5	A	N/A
		PROPRIETARY NOTICE: THE INFORMATION IN THIS DRAWING IS PROPRIETARY AND SHALL NOT BE USED OR DISCLOSED WITHOUT WRITTEN PERMISSION FROM MICROWAVE COMMUNICATIONS LABORATORIES INC. (MCLI)		DWG NO. 82081		
		THIRD ANGLE PROJECTION 		DO NOT SCALE THE DRAWING		