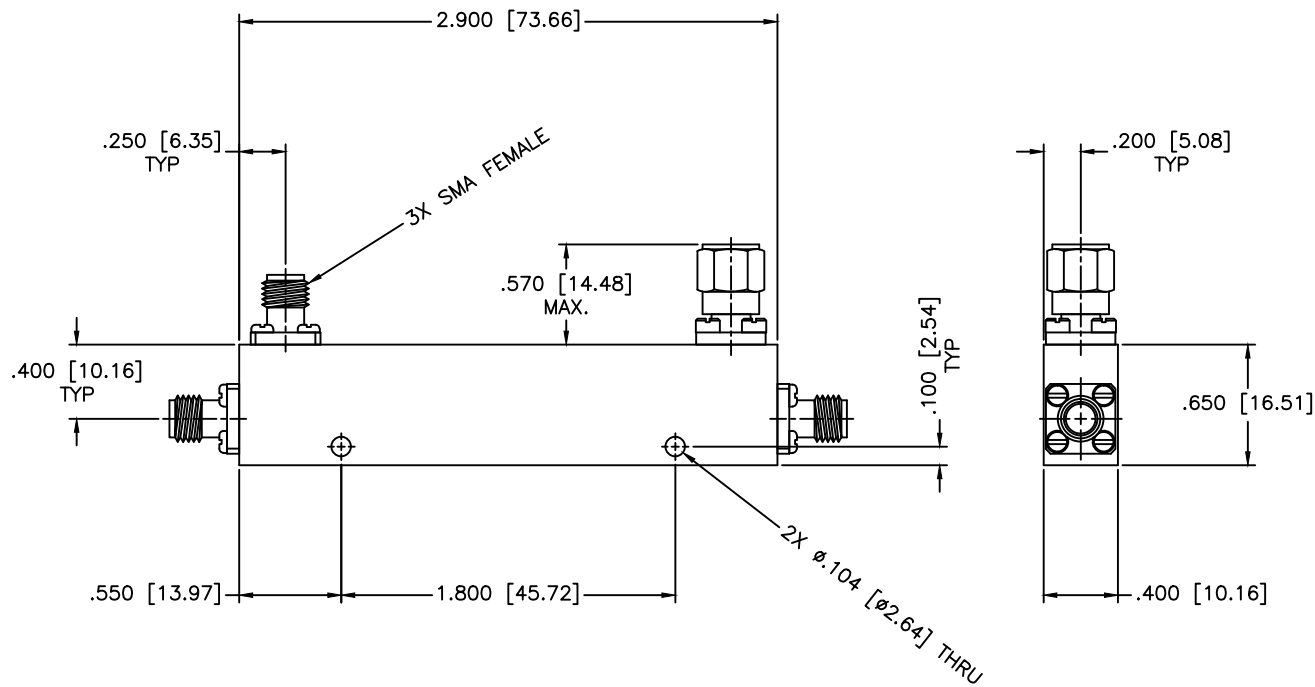


REVISIONS				
ZONE	REV	DESCRIPTION	DATE	APPROVED



SPECIFICATIONS

Frequency Range: 0.8–3 GHz
 VSWR: 1.30:1 Max.
 Coupling: 30±1.25dB
 Insertion Loss: 0.45dB Max.
 Directivity: 16dB Min.
 Frequency Sensitivity: ±0.5dB
 Power Incident, Reflected: 50W, 50W, 3kW Peak

MATERIAL:		MICROWAVE COMMUNICATIONS LABORATORIES INC. 7255 30TH AVE. N. SAINT PETERSBURG, FL 33710 TEL: (727) 344-6254 FAX: (727) 381-6116 http://WWW.MCLI.COM	SCALE:	N/A
			SHEET:	N/A
		UNLESS OTHERWISE SPECIFIED: TOLERANCES IN (INCHES) OR (mm) (MILLIMETERS) FRACTIONS: ± 1/64 DECIMALS: ±.02 ±.008 ANGLE: ±1/2°	DRAWING TITLE: DIRECTIONAL COUPLER	
DRAWN: Paiboon Luekhamhan		DATE: 10-23-2013	PART NO. C36-30	
APPROVED: T. Nguyen		DATE: 10-23-2013	CAGE CODE: OD2L5	SIZE: A REV: N/A DWG NO. 86405
		PROPRIETARY NOTICE: THE INFORMATION IN THIS DRAWING IS PROPRIETARY AND SHALL NOT BE USED OR DISCLOSED WITHOUT WRITTEN PERMISSION FROM MICROWAVE COMMUNICATIONS LABORATORIES INC. (MCLI) THIRD ANGLE PROJECTION	DO NOT SCALE THE DRAWING	