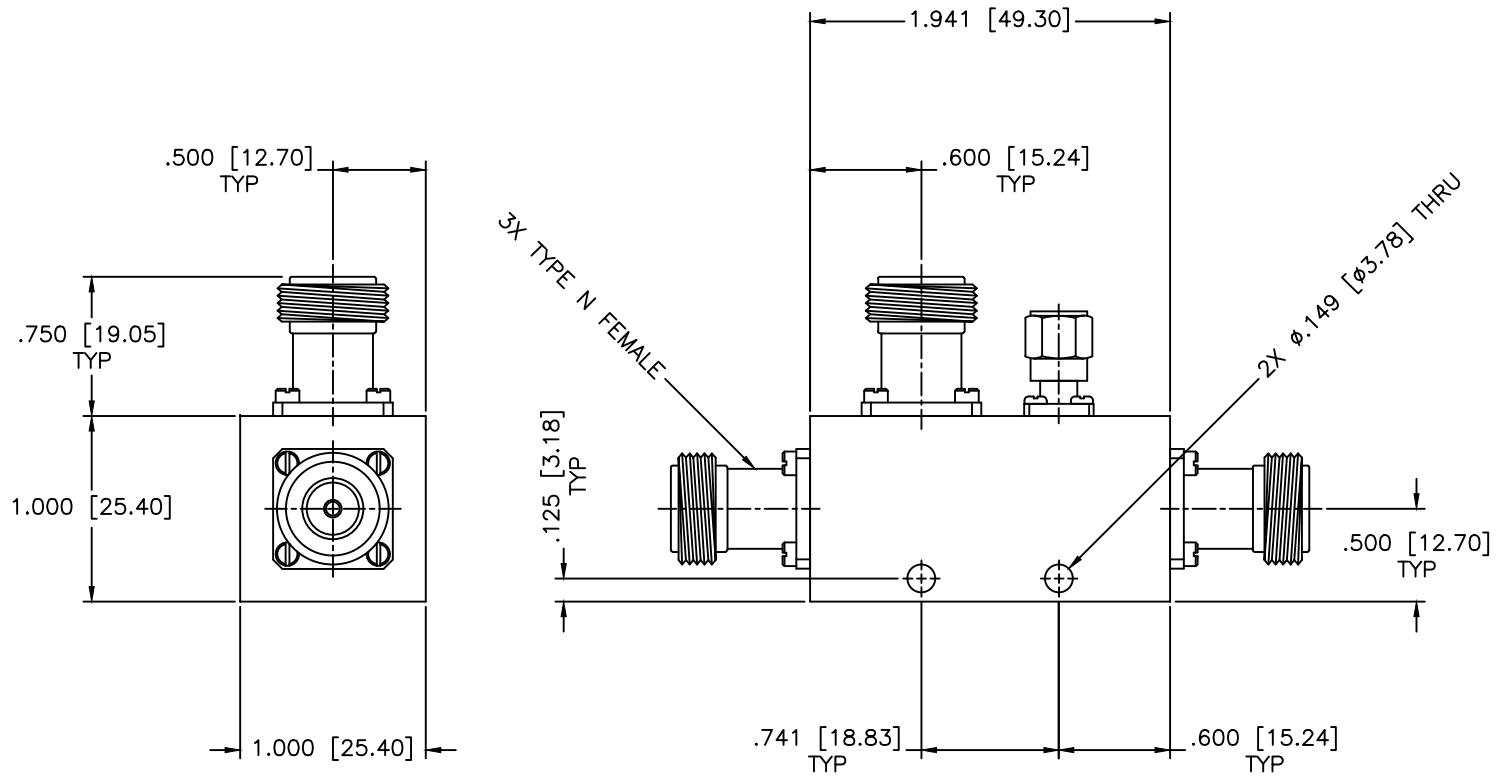


REVISIONS				
ZONE	REV	DESCRIPTION	DATE	APPROVED



SPECIFICATIONS

Frequency Range: 2–4 GHz
 Coupling: 6±1.25dB
 Frequency Sensitivity: ±0.75dB
 Insertion Loss: 1.8dB Max.
 Directivity: 18dB Min.
 VSWR: 1.40:1 Max.
 Power Incident, Reflected: 50W, 2W, 3kW Peak

MATERIAL:		MCLI MICROWAVE COMMUNICATIONS LABORATORIES INC. 7255 30TH AVE. N. SAINT PETERSBURG, FL 33710 TEL: (727) 344-6254 FAX: (727) 381-6116 http://WWW.MCLI.COM	SCALE: N/A
			SHEET: N/A
UNLESS OTHERWISE SPECIFIED: TOLERANCES IN (INCHES) OR [mm] (MILLIMETERS) FRACTIONS: ± 1/64 DECIMALS: ±.01 ±.005 ANGLE: ±1/2°		DRAWING TITLE: DIRECTIONAL COUPLER	
DRAWN: Paiboon Luekhamhan		PART NO. C3-6/NF	
DATE: 11-11-1997	DATE: 11-11-1997	CAGE CODE: OD2L5	SIZE: A
APPROVED: T. Nguyen	DATE: 11-11-1997	REV: N/A	DWG NO. 80382
PROPRIETARY NOTICE: THE INFORMATION IN THIS DRAWING IS PROPRIETARY AND SHALL NOT BE USED OR DISCLOSED WITHOUT WRITTEN PERMISSION FROM MICROWAVE COMMUNICATIONS LABORATORIES INC. (MCLI)		DO NOT SCALE THE DRAWING	

