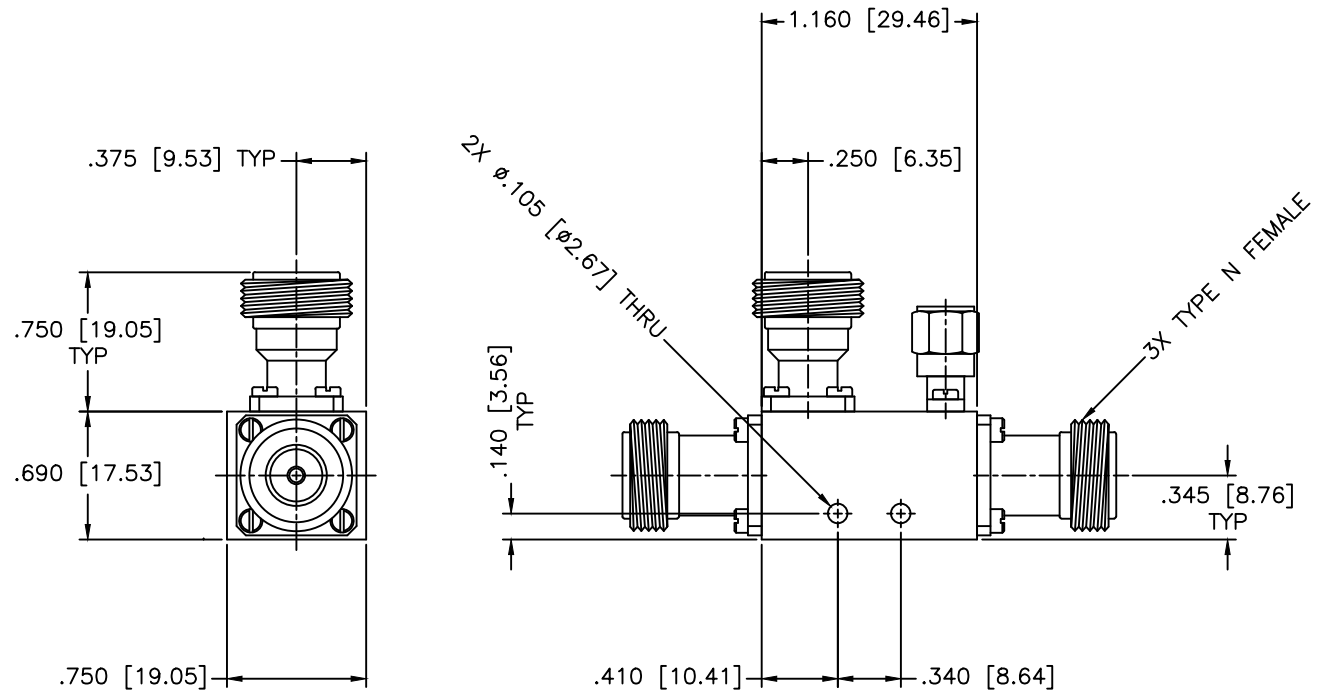


REVISIONS				
ZONE	REV	DESCRIPTION	DATE	APPROVED



**SPECIFICATIONS**

- Frequency Range: 2–4 GHz
- Coupling: 30±1.25dB
- Frequency Sensitivity: ±0.75dB
- Insertion Loss: 0.2dB Max.
- Directivity: 22dB Min.
- VSWR: 1.20:1 Max.
- Power: 50W, 3kW Peak
- Operating Temperature: –32°C to +85°C

MATERIAL:			MICROWAVE COMMUNICATIONS LABORATORIES INC. 7255 30TH AVE. N. SAINT PETERSBURG, FL 33710 TEL: (727) 344-6254 FAX: (727) 381-6116 http://WWW.MCLI.COM		SCALE: N/A
			UNLESS OTHERWISE SPECIFIED: TOLERANCES IN (INCHES) OR [mm] (MILLIMETERS) FRACTIONS: ± 1/64 DECIMALS: ±.02 ±.015 ANGLE: ±1/2°		SHEET: N/A
DRAWING TITLE:		DIRECTIONAL COUPLER			
PART NO.:		C3-30/NF/S			
DRAWN: Paiboon Luekhamhan	DATE: 04-12-2011	PROPRIETARY NOTICE: THE INFORMATION IN THIS DRAWING IS PROPRIETARY AND SHALL NOT BE USED OR DISCLOSED WITHOUT WRITTEN PERMISSION FROM MICROWAVE COMMUNICATIONS LABORATORIES INC. (MCLI)	CAGE CODE: OD2L5	SIZE: A	REV: N/A
APPROVED: T. Nguyen	DATE: 04-12-2011			DO NOT SCALE THE DRAWING	