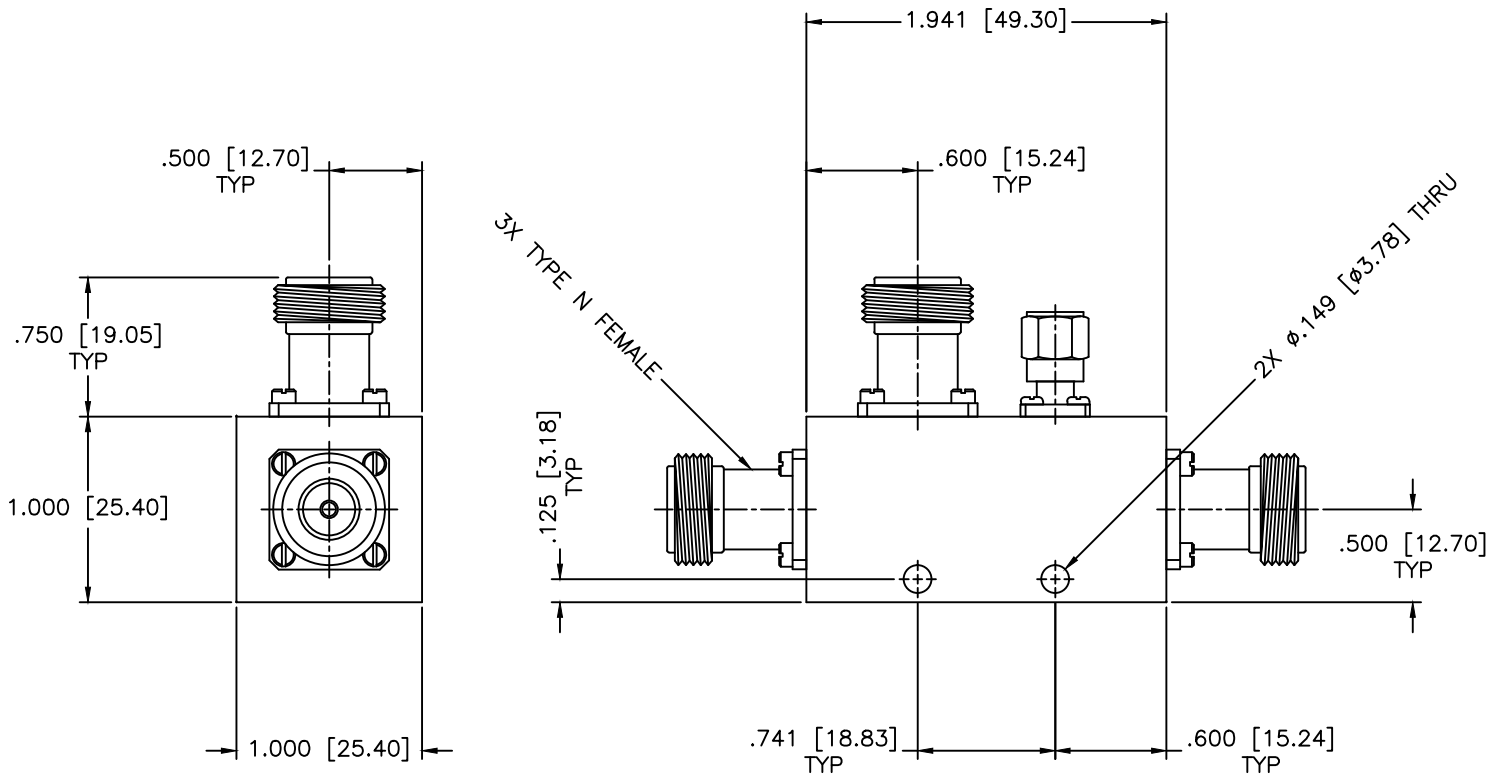


REVISIONS				
ZONE	REV	DESCRIPTION	DATE	APPROVED



SPECIFICATIONS

Frequency Range: 2–4 GHz
 Coupling: 13±1.25dB
 Frequency Sensitivity: ±0.75dB
 Insertion Loss: 0.9dB Max.
 Directivity: 18dB Min.
 VSWR: 1.40:1 Max.
 Power Incident, Reflected: 50W, 5W, 3kW Peak

MATERIAL:		MCLI MICROWAVE COMMUNICATIONS LABORATORIES INC. 7255 30TH AVE. N. SAINT PETERSBURG, FL 33710 TEL: (727) 344-6254 FAX: (727) 381-6116 http://WWW.MCLI.COM	SCALE:	N/A
			SHEET:	N/A
UNLESS OTHERWISE SPECIFIED: TOLERANCES IN (INCHES) OR [mm] (MILLIMETERS) FRACTIONS: ± 1/64 DECIMALS: ±.01 ±.005 ANGLE: ±1/2°		DRAWING TITLE:		
		DIRECTIONAL COUPLER		
DRAWN:		PART NO.		
Paiboon Luekhamhan		C3-13/NF		
DATE:		CAGE CODE:	SIZE:	REV:
09-12-1997		OD2L5	A	N/A
APPROVED:		DO NOT SCALE THE DRAWING		DWG NO.
T. Nguyen				81850
DATE:		THIRD ANGLE PROJECTION		
09-12-1997				