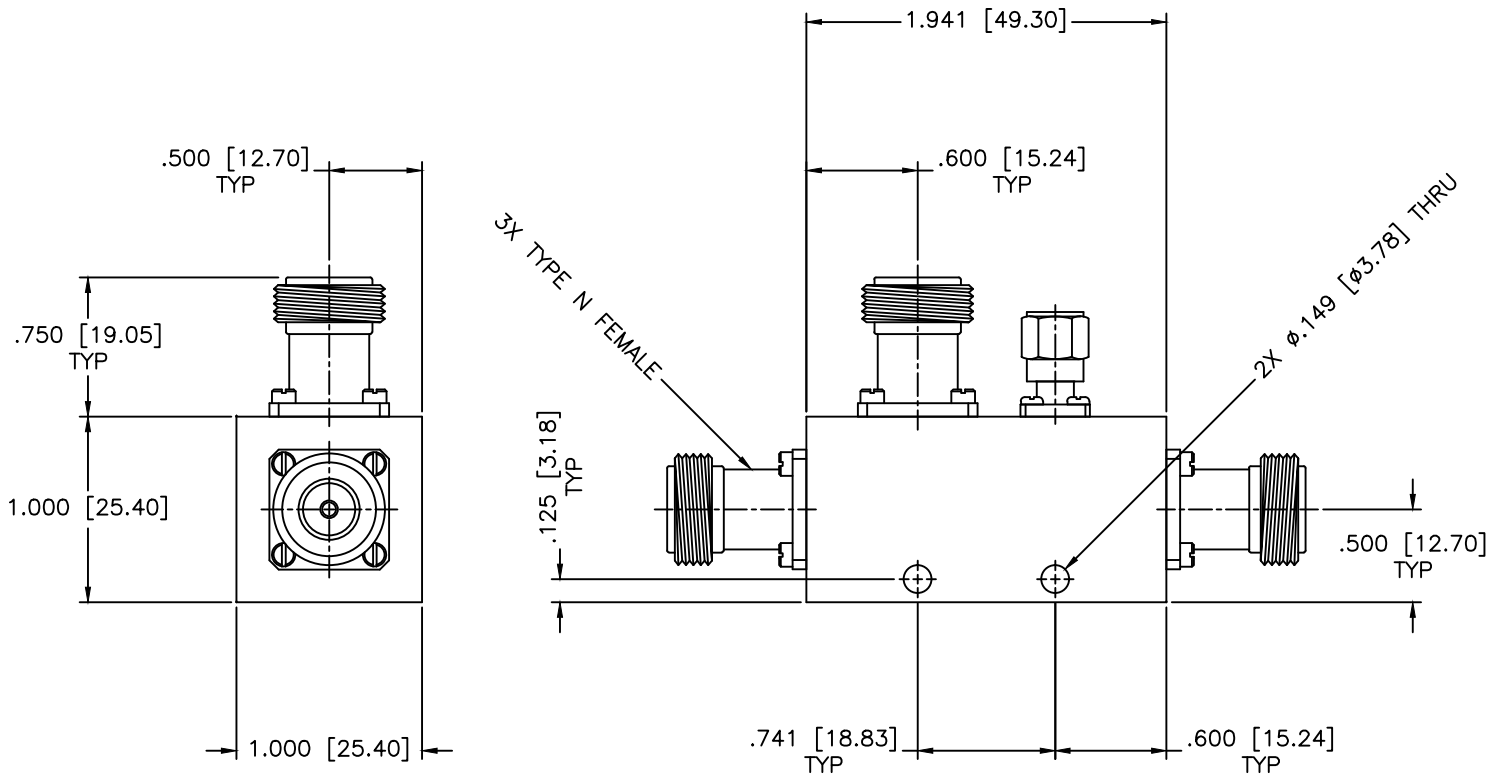


REVISIONS				
ZONE	REV	DESCRIPTION	DATE	APPROVED



**SPECIFICATIONS**

Frequency Range: 2–4 GHz  
 Coupling:  $10 \pm 1.25$  dB  
 Frequency Sensitivity:  $\pm 0.75$  dB  
 Insertion Loss: 0.9 dB Max.  
 Directivity: 18 dB Min.  
 VSWR: 1.40:1 Max.  
 Power Incident, Reflected: 50W, 5W, 3kW Peak

MATERIAL:		MICROWAVE COMMUNICATIONS LABORATORIES INC. 7255 30TH AVE. N. SAINT PETERSBURG, FL 33710 TEL: (727) 344-6254 FAX: (727) 381-6116 http://WWW.MCLI.COM		SCALE:	N/A
		UNLESS OTHERWISE SPECIFIED: TOLERANCES IN (INCHES) OR [mm] (MILLIMETERS) FRACTIONS: $\pm 1/64$ DECIMALS: $\pm 0.01 \pm 0.005$ ANGLE: $\pm 1/2^\circ$		DRAWING TITLE:	DIRECTIONAL COUPLER
DRAWN:	DATE:	PROPRIETARY NOTICE: THE INFORMATION IN THIS DRAWING IS PROPRIETARY AND SHALL NOT BE USED OR DISCLOSED WITHOUT WRITTEN PERMISSION FROM MICROWAVE COMMUNICATIONS LABORATORIES INC. (MCLI)		PART NO.:	C3-10/NF
APPROVED:	DATE:	CAGE CODE:	SIZE:	REV:	DWG NO.:
T. Nguyen	11-11-1997	OD2L5	A	N/A	80383
		THIRD ANGLE PROJECTION		DO NOT SCALE THE DRAWING	