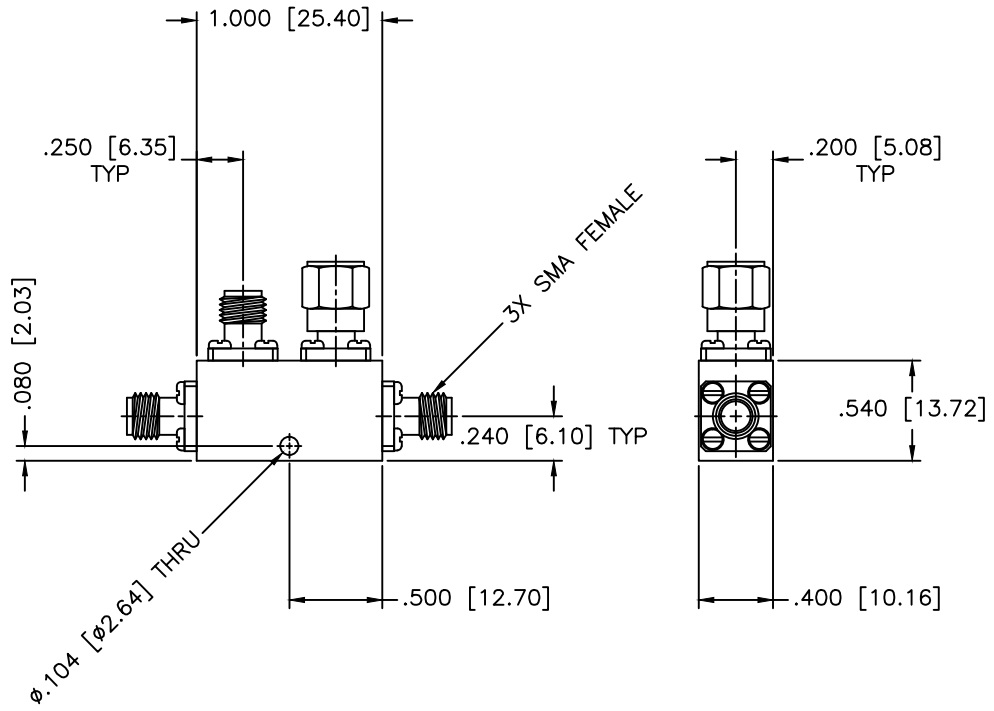


REVISIONS				
ZONE	REV	DESCRIPTION	DATE	APPROVED



SPECIFICATIONS

- Frequency Range: 4–8 GHz
- Coupling: 20±1.0dB
- Frequency Sensitivity: ±0.75dB
- Insertion Loss: 0.3dB Max.
- Directivity: 20dB Min.
- VSWR: 1.30:1 Max.
- Power Incident, Reflected: 50W, 25W, 3kW Peak

MATERIAL:		MCLI MICROWAVE COMMUNICATIONS LABORATORIES INC. 7255 30TH AVE. N. SAINT PETERSBURG, FL 33710 TEL: (727) 344-6254 FAX: (727) 381-6116 http://WWW.MCLI.COM	SCALE:	N/A
			SHEET:	N/A
UNLESS OTHERWISE SPECIFIED: TOLERANCES IN (INCHES) OR [mm] (MILLIMETERS) FRACTIONS: ± 1/64 DECIMALS: ±.01 ±.005 ANGLE: ±1/2°		DRAWING TITLE:		
		DIRECTIONAL COUPLER		
DRAWN:		PART NO.		
Paiboon Luekhamhan		C27-20		
DATE:		CAGE CODE:	SIZE:	REV:
10-19-1998		OD2L5	A	N/A
APPROVED:		DO NOT SCALE THE DRAWING		DWG NO.
T. Nguyen				81159
DATE:		THIRD ANGLE PROJECTION		
10-19-1998				