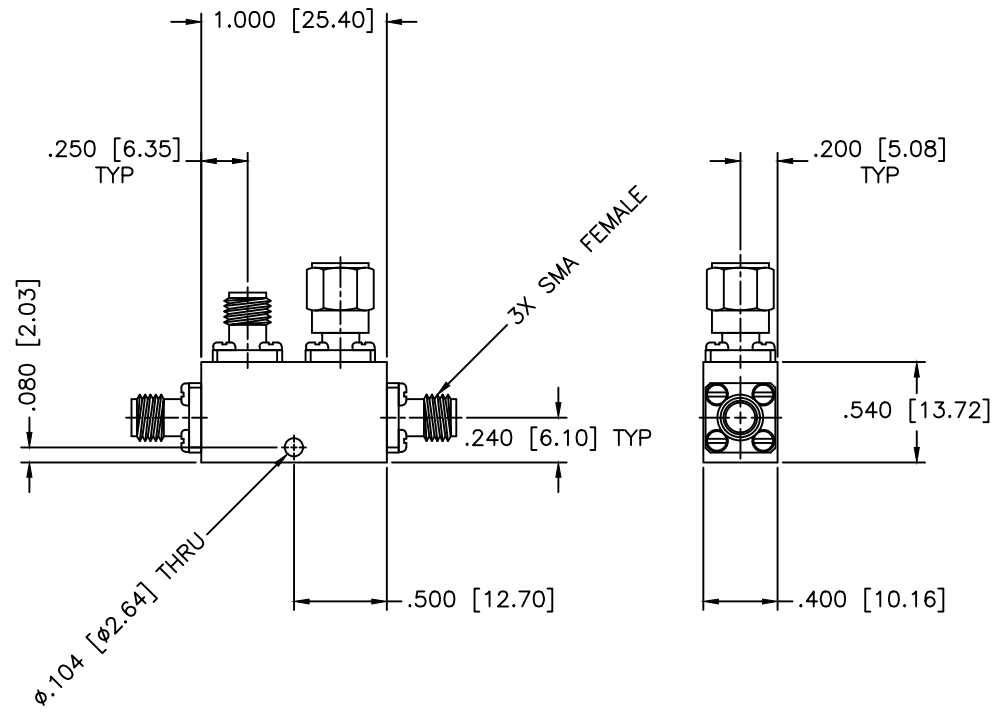


REVISIONS				
ZONE	REV	DESCRIPTION	DATE	APPROVED



**SPECIFICATIONS**

Frequency Range: 10.9–12.75 GHz  
 Coupling:  $6 \pm 1.25$ dB  
 Frequency Sensitivity:  $\pm 0.75$ dB  
 Insertion Loss: 2.0dB Max.  
 Directivity: 15dB Min.  
 VSWR: 1.45:1 Max.  
 Power Incident, Reflected: 50W, 2W, 3kW Peak

MATERIAL:		MICROWAVE COMMUNICATIONS LABORATORIES INC. 7255 30TH AVE. N. SAINT PETERSBURG, FL 33710 TEL: (727) 344-6254 FAX: (727) 381-6116 http://WWW.MCLI.COM	SCALE:	N/A		
			SHEET:	N/A		
UNLESS OTHERWISE SPECIFIED: TOLERANCES IN (INCHES) OR [mm] (MILLIMETERS) FRACTIONS: $\pm 1/64$ DECIMALS: $\pm 0.01 \pm 0.005$ ANGLE: $\pm 1/2^\circ$		DRAWING TITLE:				
		DIRECTIONAL COUPLER				
DRAWN:		PART NO.				
Paiboon Luekhamhan		C21-6				
DATE:	10-01-1999	PROPRIETARY NOTICE: THE INFORMATION IN THIS DRAWING IS PROPRIETARY AND SHALL NOT BE USED OR DISCLOSED WITHOUT WRITTEN PERMISSION FROM MICROWAVE COMMUNICATIONS LABORATORIES INC. (MCLI)	CAGE CODE:	SIZE:	REV:	DWG NO.
APPROVED:	T. Nguyen		OD2L5	A	N/A	81393
DATE:		THIRD ANGLE PROJECTION		DO NOT SCALE THE DRAWING		
10-01-1999						