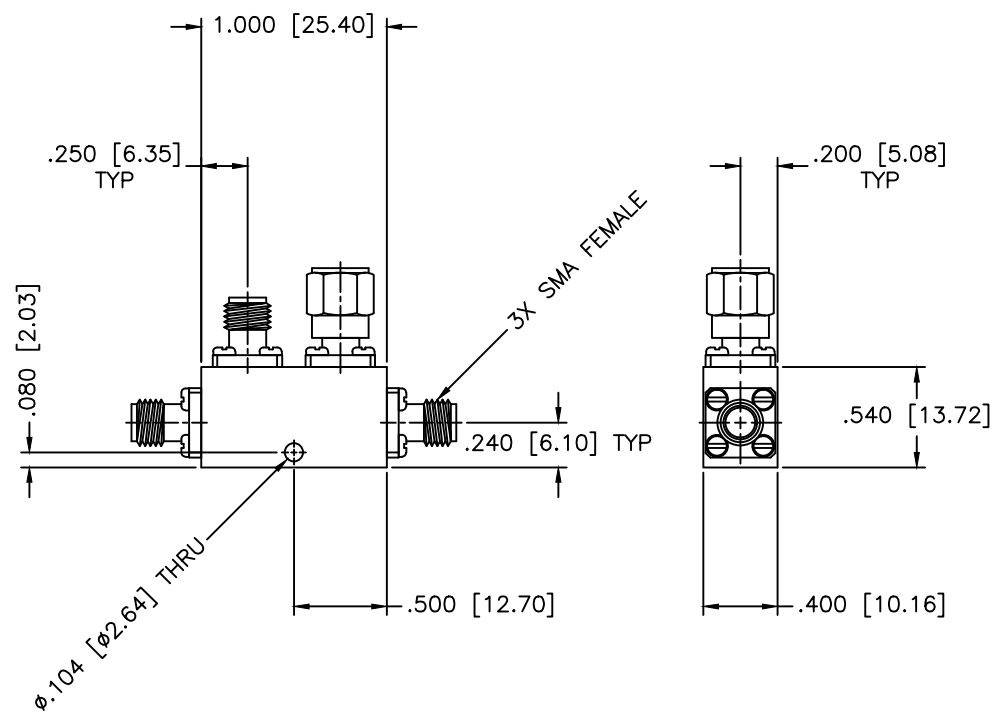


REVISIONS				
ZONE	REV	DESCRIPTION	DATE	APPROVED



SPECIFICATIONS

Frequency Range: 10.9–12.75 GHz
 Coupling: 30 ± 1.25 dB
 Frequency Sensitivity: ± 0.75 dB
 Insertion Loss: 0.55 dB Max.
 Directivity: 15 dB Min.
 VSWR: 1.45:1 Max.
 Power Incident, Reflected: 50W, 50W, 3kW Peak

MATERIAL:		MICROWAVE COMMUNICATIONS LABORATORIES INC. 7255 30TH AVE. N. SAINT PETERSBURG, FL 33710 TEL: (727) 344-6254 FAX: (727) 381-6116 http://WWW.MCLI.COM	SCALE:	N/A
			SHEET:	N/A
UNLESS OTHERWISE SPECIFIED: TOLERANCES IN (INCHES) OR [mm] (MILLIMETERS) FRACTIONS: $\pm 1/64$ DECIMALS: $\pm 0.01 \pm 0.005$ ANGLE: $\pm 1/2^\circ$		DRAWING TITLE: DIRECTIONAL COUPLER		
DRAWN: Paiboon Luekhamhan		PART NO. C21-30		
DATE: 10-01-1999		CAGE CODE: OD2L5		
APPROVED: T. Nguyen		DATE: 10-01-1999		
PROPRIETARY NOTICE: THE INFORMATION IN THIS DRAWING IS PROPRIETARY AND SHALL NOT BE USED OR DISCLOSED WITHOUT WRITTEN PERMISSION FROM MICROWAVE COMMUNICATIONS LABORATORIES INC. (MCLI)		SIZE: A	REV: N/A	DWG NO. 81396
THIRD ANGLE PROJECTION 		DO NOT SCALE THE DRAWING		