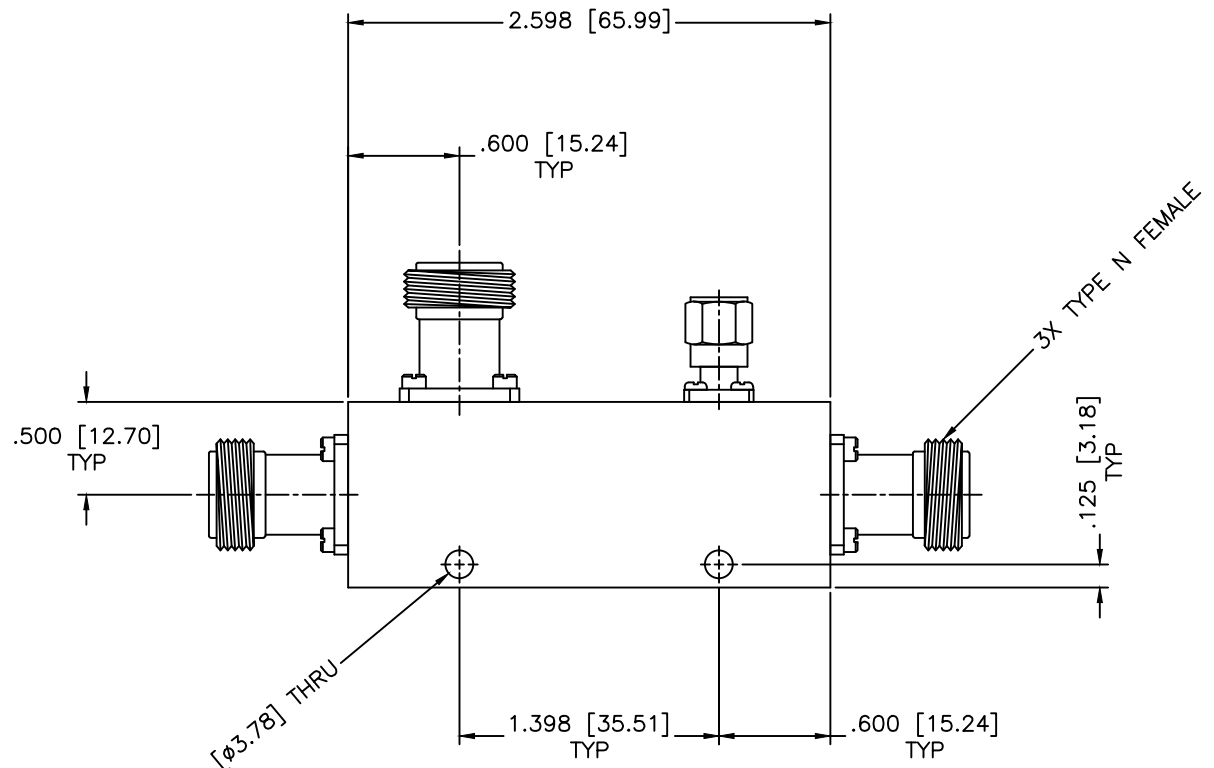
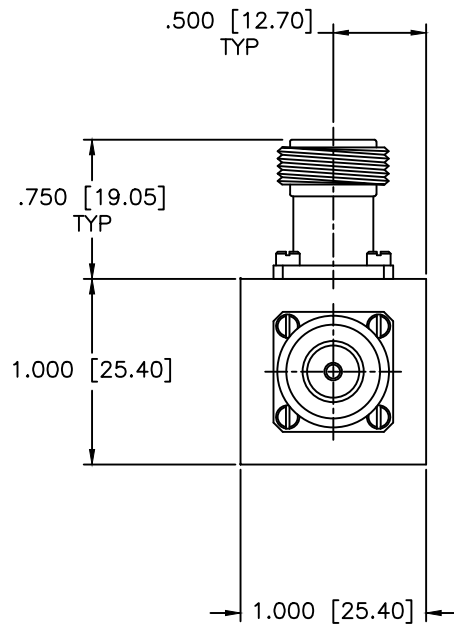


REVISIONS				
ZONE	REV	DESCRIPTION	DATE	APPROVED



SPECIFICATIONS

Frequency Range: 1–2 GHz
 Coupling: 6±1.25dB
 Frequency Sensitivity: ±0.75dB
 Insertion Loss: 2.0dB Max.
 Directivity: 20dB Min.
 VSWR: 1.25:1 Max.
 Power Incident, Reflected: 50W, 2W, 3kW Peak

MATERIAL:		MICROWAVE COMMUNICATIONS LABORATORIES INC. 7255 30TH AVE. N. SAINT PETERSBURG, FL 33710 TEL: (727) 344-6254 FAX: (727) 381-6116 http://WWW.MCLI.COM	SCALE:	N/A
			SHEET:	N/A
UNLESS OTHERWISE SPECIFIED: TOLERANCES IN (INCHES) OR [mm] (MILLIMETERS) FRACTIONS: ± 1/64 DECIMALS: ±.01 ±.005 ANGLE: ±1/2°		DRAWING TITLE: DIRECTIONAL COUPLER		
DRAWN: Paiboon Luekhamhan		PART NO. C2-6/NF		
DATE: 09-27-1999	APPROVED: T. Nguyen	DATE: 09-27-1999	CAGE CODE: OD2L5	SIZE: A REV: N/A DWG NO.: 80378 DO NOT SCALE THE DRAWING



PROPRIETARY NOTICE:
 THE INFORMATION IN THIS DRAWING IS PROPRIETARY
 AND SHALL NOT BE USED OR DISCLOSED WITHOUT WRITTEN
 PERMISSION FROM MICROWAVE COMMUNICATIONS
 LABORATORIES INC. (MCLI)
 THIRD ANGLE PROJECTION

