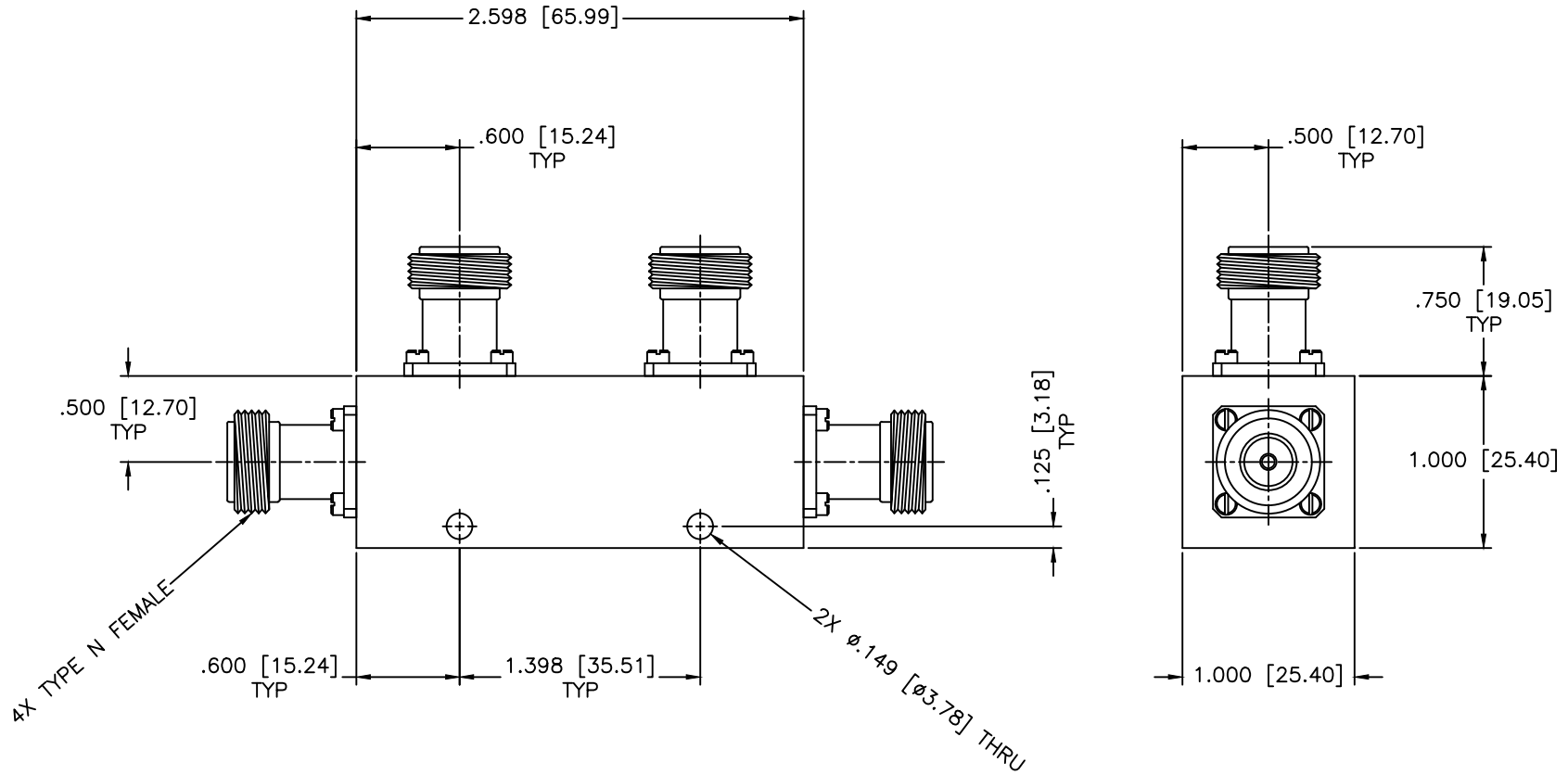


| REVISIONS | | | | |
|-----------|-----|-------------|------|----------|
| ZONE | REV | DESCRIPTION | DATE | APPROVED |



SPECIFICATIONS

Frequency Range: 1–2 GHz
 Coupling: 40±1.25dB
 Frequency Sensitivity: ±0.75dB
 Insertion Loss: 0.2dB Max.
 Directivity: 20dB Min.
 VSWR: 1.25:1 Max.
 Power Incident, Reflected: 50W, 50W, 3kW Peak

| | | | | | | |
|------------------------------|---------------------|---|--|--------------------------|---------------------|------------------|
| MATERIAL: | | | MICROWAVE COMMUNICATIONS LABORATORIES INC. 7255 30TH AVE. N. SAINT PETERSBURG, FL 33710 TEL: (727) 344-6254 FAX: (727) 381-6116 http://WWW.MCLI.COM | | SCALE: | N/A |
| | | | UNLESS OTHERWISE SPECIFIED: TOLERANCES IN (INCHES) OR [mm] (MILLIMETERS) FRACTIONS: ± 1/64 DECIMALS: ±.01 ±.005 ANGLE: ±1/2° | DRAWING TITLE: | | SHEET: |
| | | PROPRIETARY NOTICE: THE INFORMATION IN THIS DRAWING IS PROPRIETARY AND SHALL NOT BE USED OR DISCLOSED WITHOUT WRITTEN PERMISSION FROM MICROWAVE COMMUNICATIONS LABORATORIES INC. (MCLI) | PART NO. | | DIRECTIONAL COUPLER | |
| DRAWN: Paiboon Luekhamhan | DATE: 09-27-1999 | CAGE CODE: OD2L5 | | SIZE: A | REV: N/A | DWG NO. 81050 |
| APPROVED: T. Nguyen | DATE: 09-27-1999 | THIRD ANGLE PROJECTION | | DO NOT SCALE THE DRAWING | | |