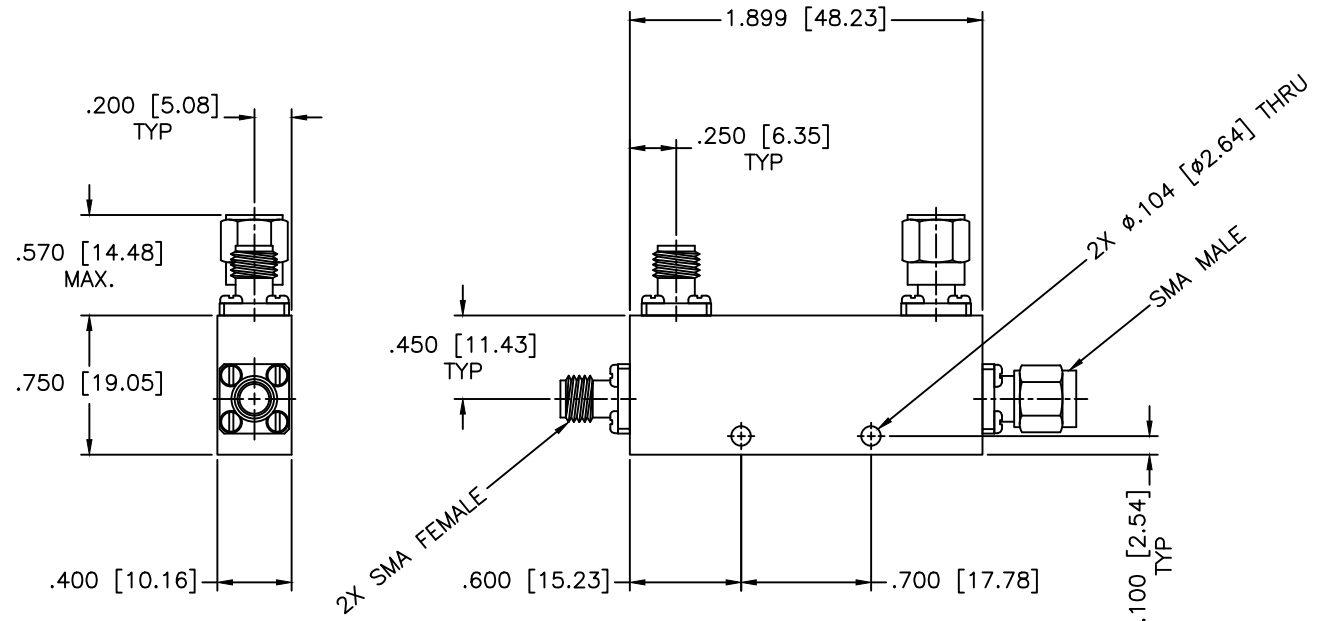


REVISIONS				
ZONE	REV	DESCRIPTION	DATE	APPROVED



**SPECIFICATIONS**

- Frequency Range: 1–2 GHz
- Coupling: 30±1.25dB
- Frequency Sensitivity: ±0.75dB
- Insertion Loss: 0.20dB Max.
- Directivity: 25dB Min.
- VSWR: 1.10:1 Max.
- Power Incident, Reflected: 50W, 50W, 3kW Peak

MATERIAL:			MICROWAVE COMMUNICATIONS LABORATORIES INC. 7255 30TH AVE. N. SAINT PETERSBURG, FL 33710 TEL: (727) 344-6254 FAX: (727) 381-6116 http://WWW.MCLI.COM		SCALE:	N/A
			UNLESS OTHERWISE SPECIFIED: TOLERANCES IN (INCHES) OR [mm] (MILLIMETERS) FRACTIONS: ± 1/64 DECIMALS: ±.01 ±.005 ANGLE: ±1/2°	DRAWING TITLE:		SHEET:
		PROPRIETARY NOTICE: THE INFORMATION IN THIS DRAWING IS PROPRIETARY AND SHALL NOT BE USED OR DISCLOSED WITHOUT WRITTEN PERMISSION FROM MICROWAVE COMMUNICATIONS LABORATORIES INC. (MCLI)	PART NO.		DIRECTIONAL COUPLER	
DRAWN:	DATE:	THIRD ANGLE PROJECTION 	CAGE CODE:		SIZE:	REV:
APPROVED:	DATE:		OD2L5		A	N/A
				DO NOT SCALE THE DRAWING		DWG NO.
						82959