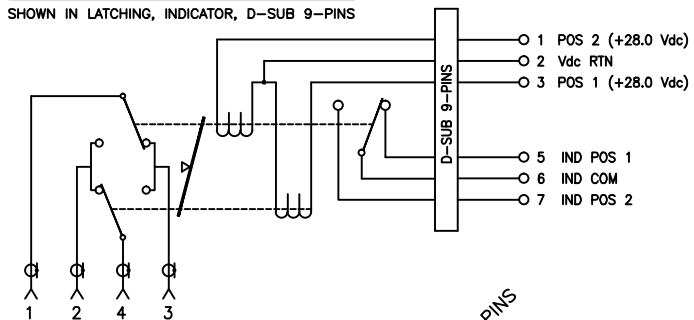
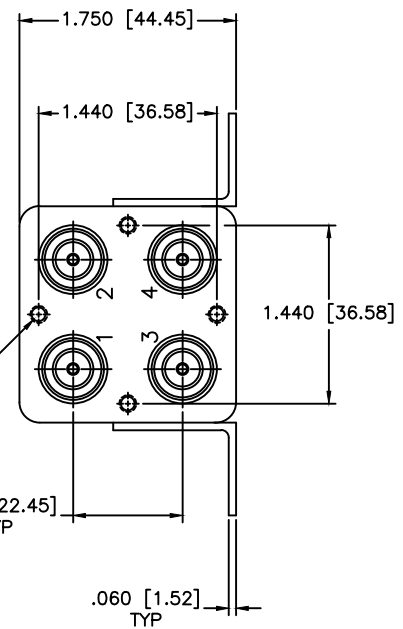
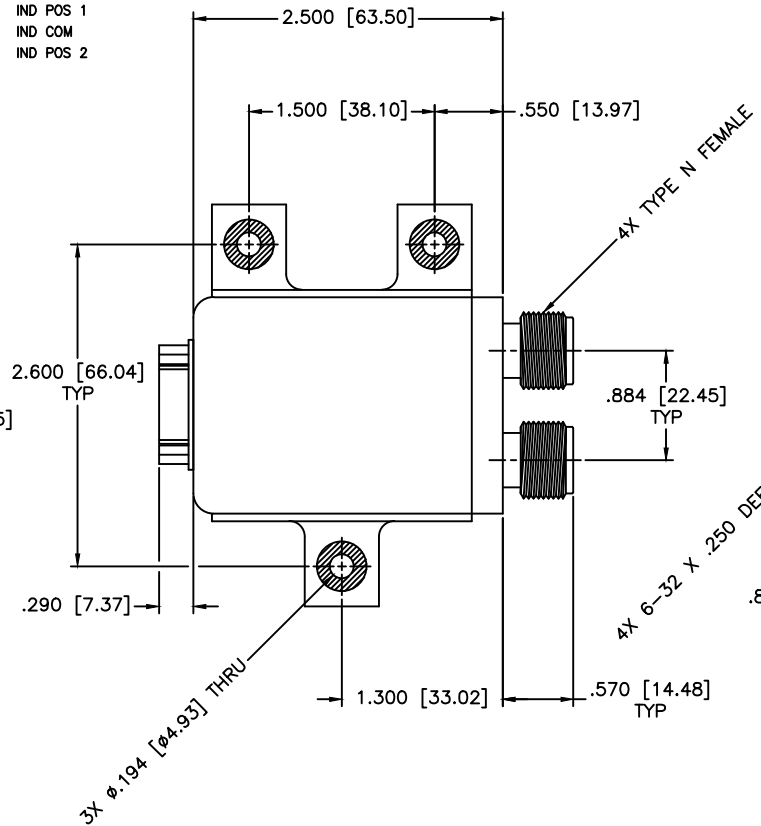
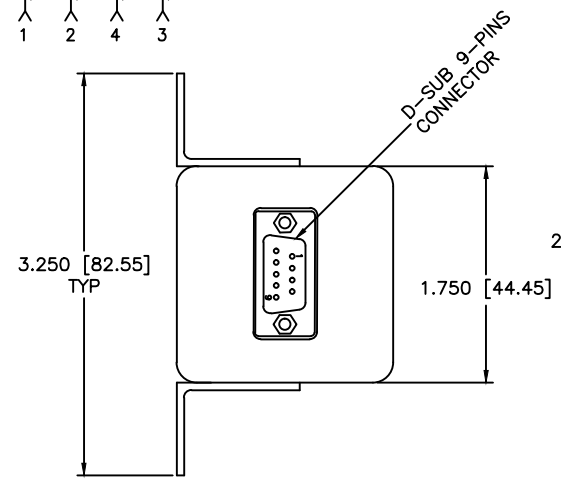


SCHMATIC
SHOWN IN LATCHING, INDICATOR, D-SUB 9-PINS



POS 1 NORMALLY CLOSED
POS 1 { 1-3 & 2-4 }
POS 2 { 1-2 & 3-4 }

REVISIONS				
ZONE	REV	DESCRIPTION	DATE	APPROVED



SPECIFICATIONS
FREQUENCY RANGE: DC-4.0 GHz
VSWR: 1.30:1 MAX.
INSERTION LOSS: 0.30dB MAX.
ISOLATION: 70dB MIN.

MECHANICAL
CONTACT: BREAK BEFORE MAKE
ACTUATOR: LATCHING
SWITCHING SPEED: 20 mSEC MAX

ELECTRICAL
ACTUATOR VOLTAGE: 28.0±3.0 Vdc
ACTUATOR CURRENT: 200mA MAX @ 28.0 Vdc
POWER HANDLING: 350W CW @ 1.0GHz
IMPEDANCE: 50 Ohms

ENVIRONMENTAL
OPERATING TEMP: -54°C to +90°C
SINE VIBRATION: 30 G'S rms
LIFE: 1,000,000 CYCLES
RANDOM VIBRATION: 20 G'S rms

DRAWING: Paiboon Luekhamhan		DATE: 02-29-2012	MCLI MICROWAVE COMMUNICATIONS LABORATORIES INC. 7225 30TH AVE. N. SAINT PETERSBURG, FL 33710 TEL: (727) 344-6254 FAX: (727) 381-8116 http://www.mcli.com		SCALE: N/A
APPROVED: T. Nguyen		DATE: 02-29-2012	UNLESS OTHERWISE SPECIFIED: TOLERANCES IN (INCHES) OR (mm) (MILLIMETERS) FRACTIONS: ± 1/64 DECIMALS: ±.02 ±.009 ANGLE: ±1/2°		SHEET: N/A
DRAWING TITLE: ELECTROMECHANICAL SWITCHES			PART NO. C2-3-LIS/9P		
CAGE CODE: OD2L5		SIZE: N/A	REV: N/A	DWG NO. 86004	
DO NOT SCALE THE DRAWING					