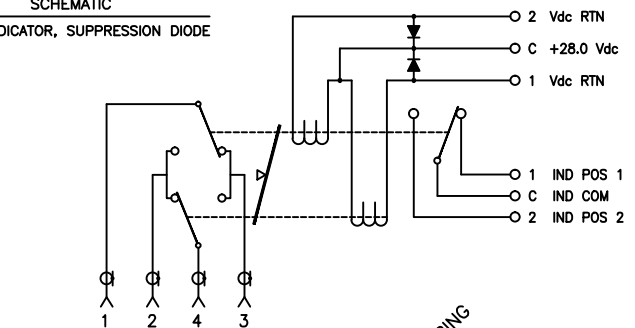


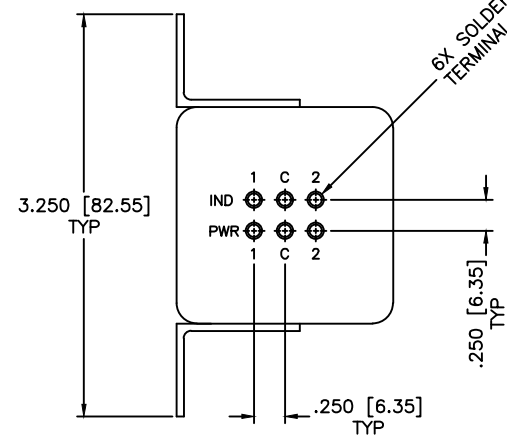
4 | 3 | 2 | 1

| REVISIONS | | | | |
|-----------|-----|-------------|------|----------|
| ZONE | REV | DESCRIPTION | DATE | APPROVED |
| | | | | |

SCHEMATIC
LATCHING, INDICATOR, SUPPRESSION DIODE



POS 1 NORMALLY CLOSED
POS 1 { 1-3 & 2-4 }
POS 2 { 1-2 & 3-4 }



SPECIFICATIONS

FREQUENCY RANGE: DC-4.0 GHz
VSWR: 1.30:1 MAX.
INSERTION LOSS: 0.30dB MAX.
ISOLATION: 70dB MIN.

MECHANICAL

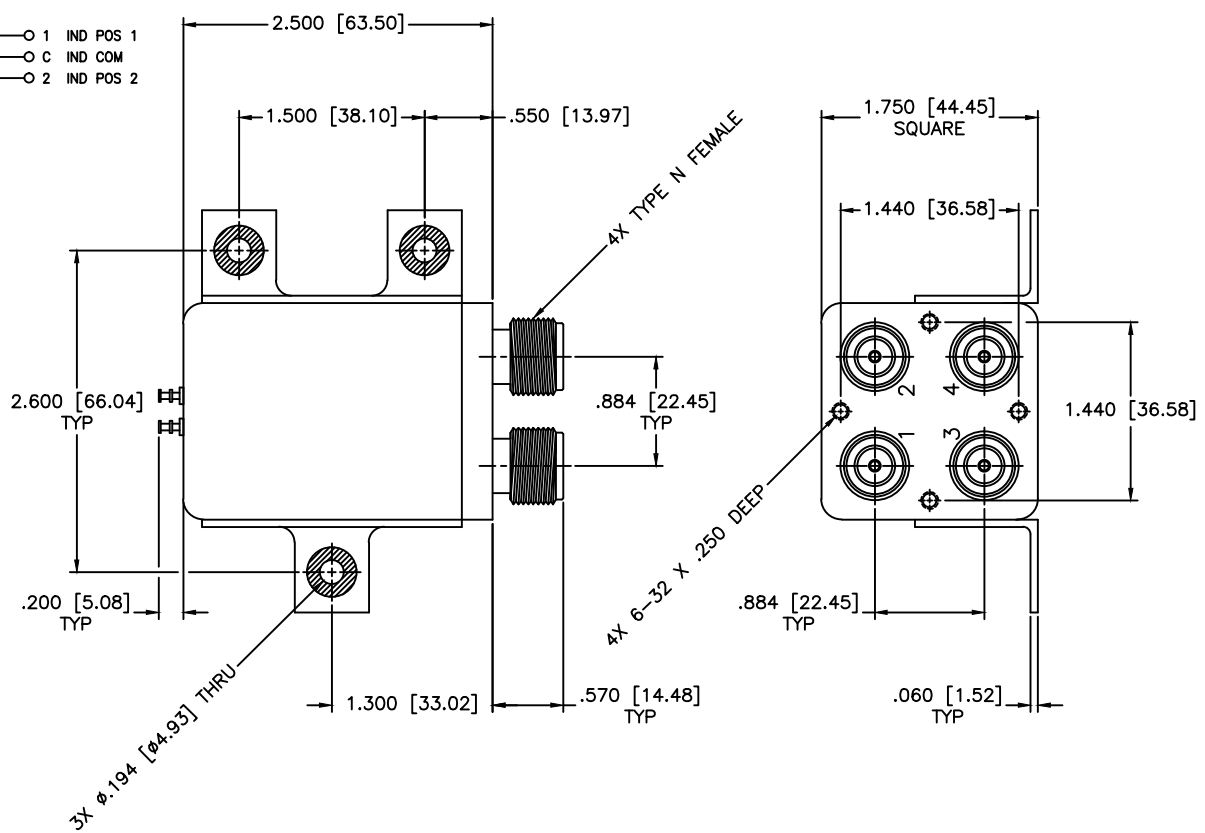
CONTACT: BREAK BEFORE MAKE
ACTUATOR: LATCHING
SWITCHING SPEED: 20 mSEC MAX

ELECTRICAL

ACTUATOR VOLTAGE: 28.0±3.0 Vdc
ACTUATOR CURRENT: 200mA MAX @ 28.0 Vdc
POWER HANDLING: 350W CW @ 1.0GHz
IMPEDANCE: 50 Ohms

ENVIRONMENTAL

OPERATING TEMP: -54°C to +90°C
SINE VIBRATION: 30 G'S rms
LIFE: 1,000,000 CYCLES
RANDOM VIBRATION: 20 G'S rms



| | | | | |
|--------------------------|-----------------------------|---|--|---------------|
| MATERIAL: | DRAWING: Paiboon Luekhamhan | DATE: 02-18-2009 | MCLI MICROWAVE COMMUNICATIONS LABORATORIES INC. 7225 30TH AVE. N. SAINT PETERSBURG, FL 33710 TEL: (727) 344-8254 FAX: (727) 381-8116 http://www.mcli.com | SCALE: N/A |
| | | | | SHEET: N/A |
| APPROVED: T. Nguyen | DATE: 02-18-2009 | UNLESS OTHERWISE SPECIFIED: TOLERANCES IN (INCHES) OR (mm) (MILLIMETERS) FRACTIONS: ± 1/64 DECIMALS: ±.02 ±.009 ANGLE: ±1/2° | DRAWING TITLE: ELECTROMECHANICAL SWITCHES | |
| | | | PART NO. C2-3-LIS/28P | |
| CAGE CODE: OD2L5 | | SIZE: N/A | REV: N/A | DWG NO. 84170 |
| DO NOT SCALE THE DRAWING | | | | |

4 | 3 | 2 | 1