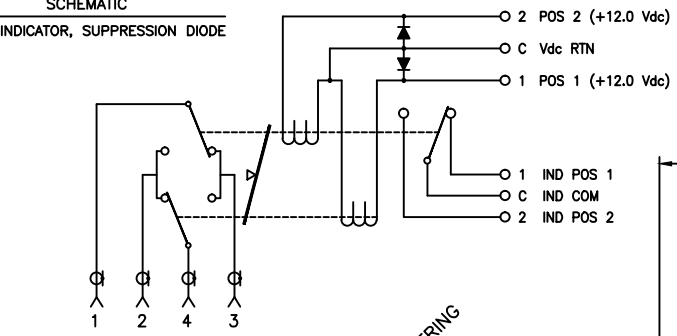
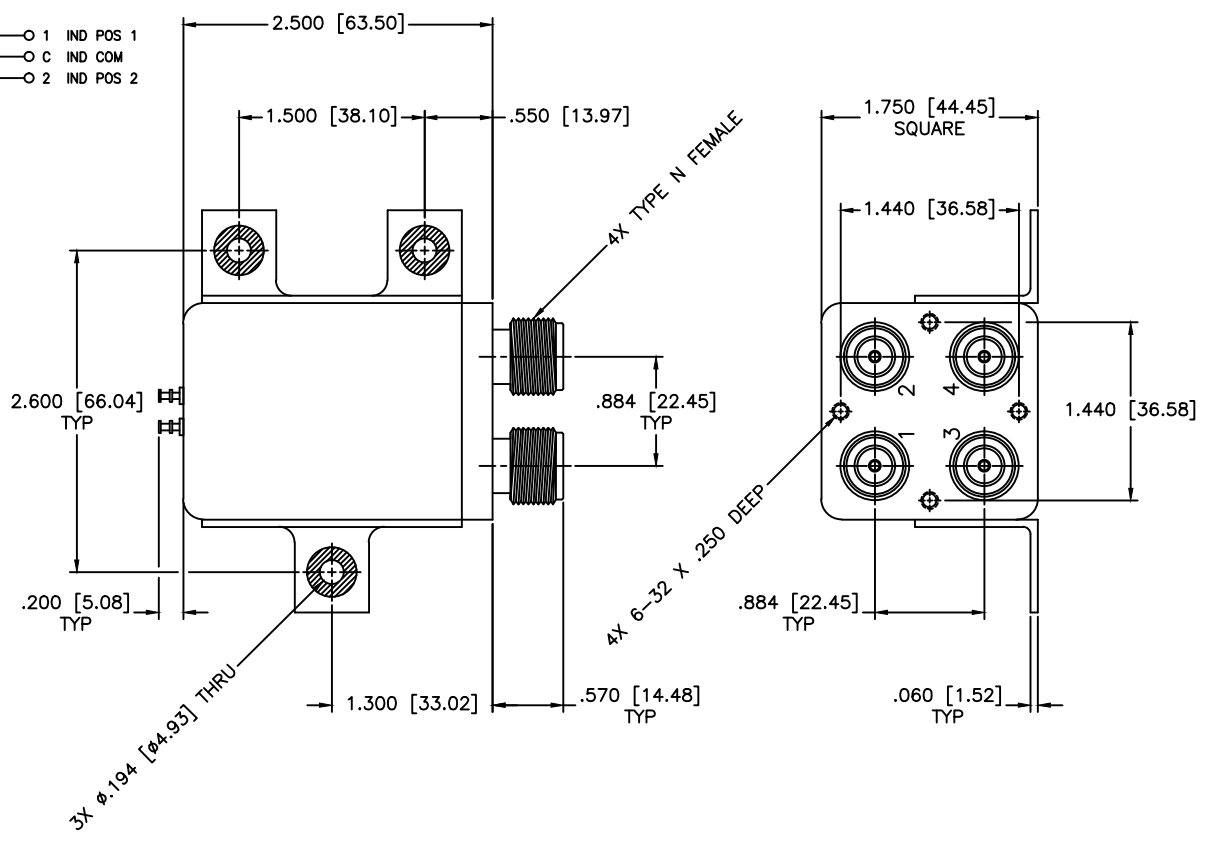
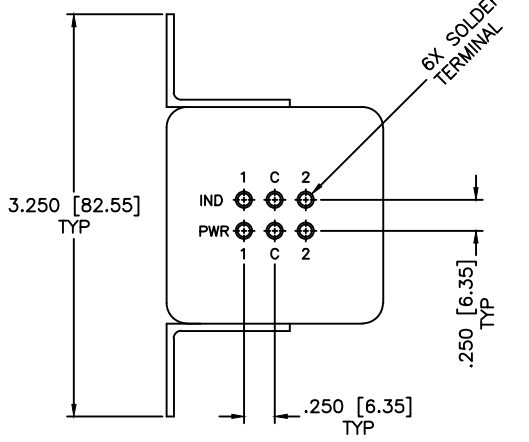


SCHMATIC
LATCHING, INDICATOR, SUPPRESSION DIODE



POS 1 NORMALLY CLOSED
POS 1 { 1-3 & 2-4 }
POS 2 { 1-2 & 3-4 }

REVISIONS				
ZONE	REV	DESCRIPTION	DATE	APPROVED



SPECIFICATIONS

FREQUENCY RANGE: DC-4.0 GHz
VSWR: 1.30:1 MAX.
INSERTION LOSS: 0.30dB MAX.
ISOLATION: 70dB MIN.

MECHANICAL

CONTACT: BREAK BEFORE MAKE
ACTUATOR: LATCHING
SWITCHING SPEED: 20 mSEC MAX

ELECTRICAL

ACTUATOR VOLTAGE: 12.0±3.0 Vdc
ACTUATOR CURRENT: 250mA MAX @ 12.0 Vdc
POWER HANDLING: 350W CW @ 1.0GHz
IMPEDANCE: 50 Ohms

ENVIRONMENTAL

OPERATING TEMP: -54°C to +90°C
SINE VIBRATION: 30 G'S rms
LIFE: 1,000,000 CYCLES
RANDOM VIBRATION: 20 G'S rms

MATERIAL:	DRAWING: Paiboon Luekhamhan	DATE: 02-18-2009	MCL MICROWAVE COMMUNICATIONS LABORATORIES INC. 7225 30TH AVE. N. SAINT PETERSBURG, FL 33710 TEL: (727) 344-8254 FAX: (727) 381-8116 http://www.mcll.com	SCALE: N/A
				SHEET: N/A
APPROVED: T. Nguyen	DATE: 02-18-2009	UNLESS OTHERWISE SPECIFIED: TOLERANCES IN (INCHES) OR (mm) (MILLIMETERS) FRACTIONS: ± 1/64 DECIMALS: ±.02 ±.009 ANGLE: ±1/2°	DRAWING TITLE: ELECTROMECHANICAL SWITCHES	
			PART NO. C2-3-LIS/12	
CAGE CODE: OD2L5		SIZE: N/A	REV: N/A	DWG NO. 84162
DO NOT SCALE THE DRAWING				