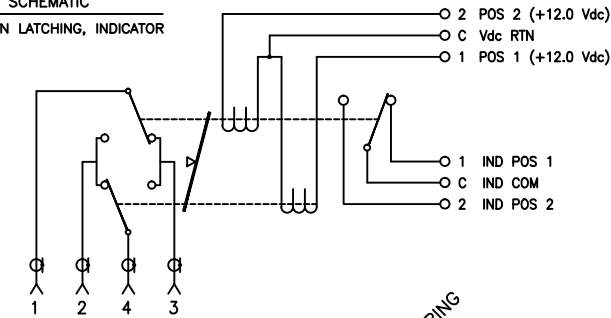
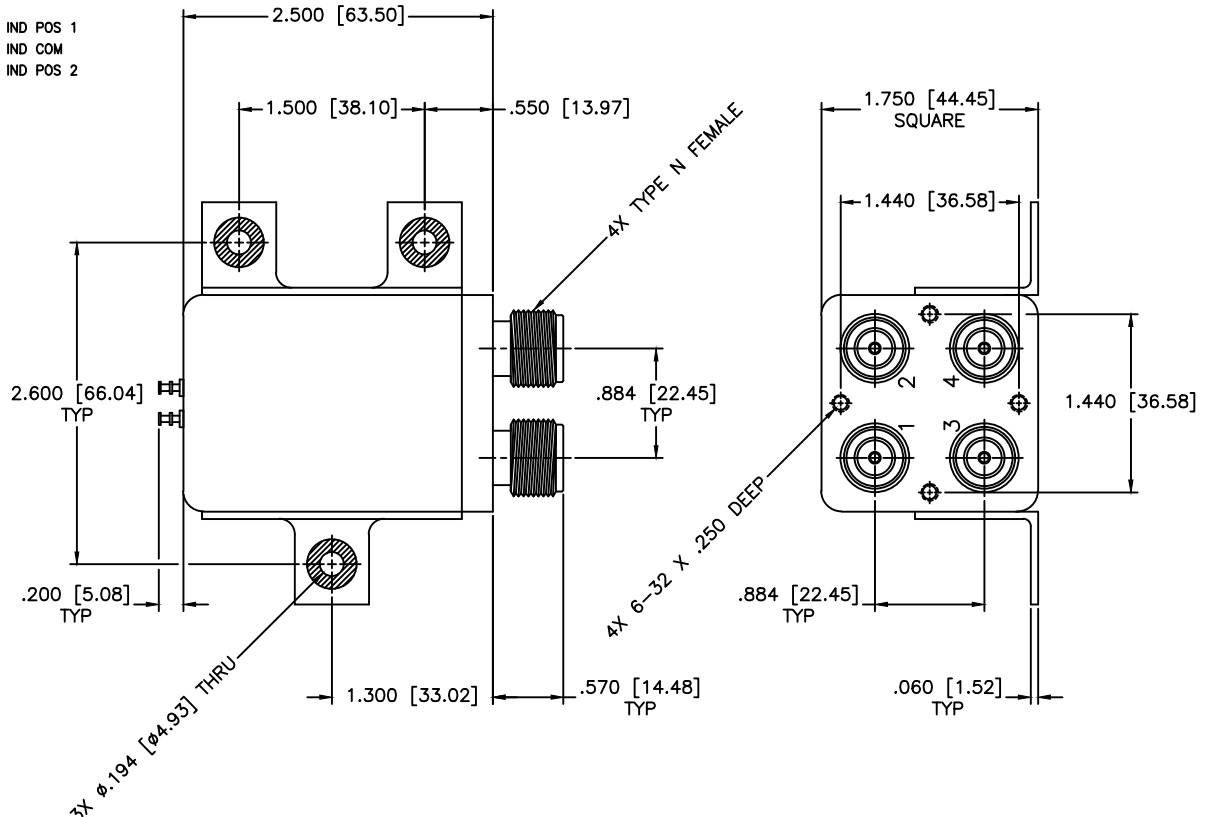
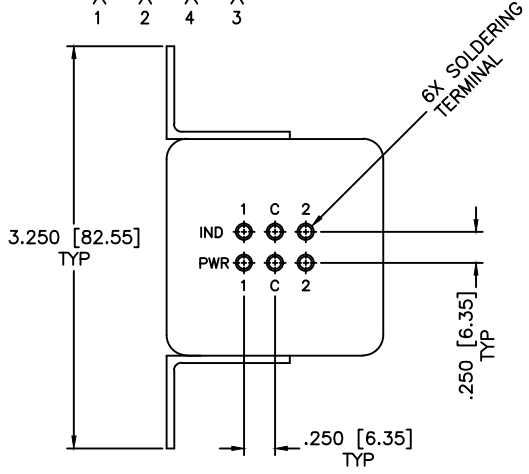


REVISIONS				
ZONE	REV	DESCRIPTION	DATE	APPROVED

SCHMATIC
SHOWN IN LATCHING, INDICATOR



POS 1 NORMALLY CLOSED
POS 1 { 1-3 & 2-4 }
POS 2 { 1-2 & 3-4 }



SPECIFICATIONS

FREQUENCY RANGE: DC-4.0 GHz
VSWR: 1.30:1 MAX.
INSERTION LOSS: 0.30dB MAX.
ISOLATION: 70dB MIN.

MECHANICAL

CONTACT: BREAK BEFORE MAKE
ACTUATOR: LATCHING
SWITCHING SPEED: 20 mSEC MAX

ELECTRICAL

ACTUATOR VOLTAGE: 12.0±3.0 Vdc
ACTUATOR CURRENT: 250mA MAX @ 12.0 Vdc
POWER HANDLING: 350W CW @ 1.0GHz
IMPEDANCE: 50 Ohms

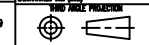
ENVIRONMENTAL

OPERATING TEMP: -54°C to +90°C
SINE VIBRATION: 30 G'S rms
LIFE: 1,000,000 CYCLES
RANDOM VIBRATION: 20 G'S rms

MATERIAL:		MCLI MICROWAVE COMMUNICATIONS LABORATORIES INC. 7225 30TH AVE. N. SAINT PETERSBURG, FL 33710 TEL: (727) 344-8254 FAX: (727) 381-8116 http://www.mcli.com		SCALE: N/A
DRAWING TITLE:		ELECTROMECHANICAL SWITCHES		SHEET: N/A
PART NO.:		C2-3-LI/12		
CAGE CODE:	SIZE:	REV:	DWG NO.:	
OD2L5	N/A	N/A	84166	
DO NOT SCALE THE DRAWING				

DATE:	02-18-2009
APPROVED:	T. Nguyen

UNLESS OTHERWISE SPECIFIED:
TOLERANCES
IN (INCHES) OR (mm) (MILLIMETERS)
FRACTIONS: ± 1/64
DECIMALS: ± 0.02 ± 0.009
ANGLE: ± 1/2°



D
C
B
A

D
C
B
A

4 | 3 | 2 | 1