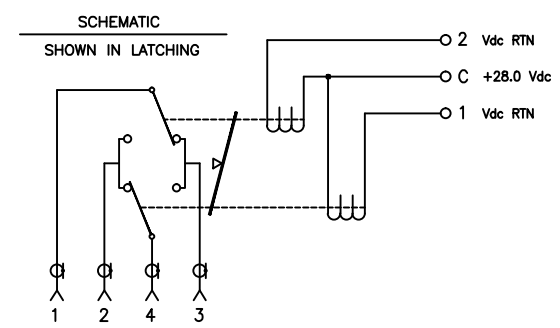
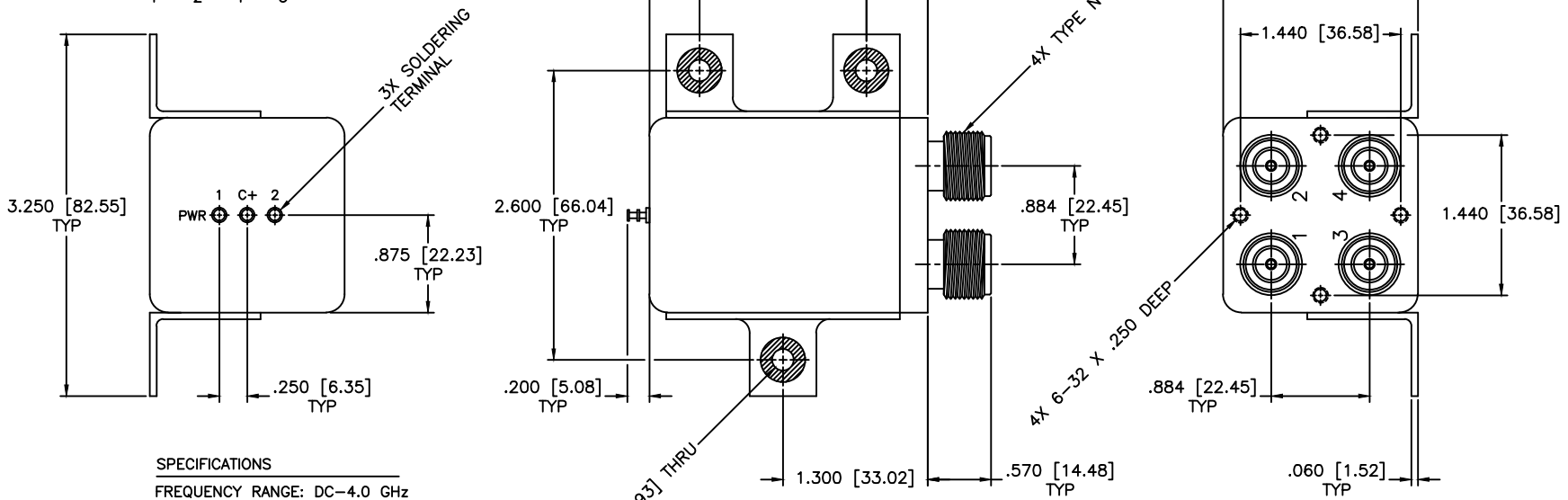


4 3 2 1

REVISIONS				
ZONE	REV	DESCRIPTION	DATE	APPROVED



POS 1 NORMALLY CLOSED
 POS 1 { 1-3 & 2-4 }
 POS 2 { 1-2 & 3-4 }



SPECIFICATIONS

FREQUENCY RANGE: DC-4.0 GHz
 VSWR: 1.30:1 MAX.
 INSERTION LOSS: 0.30dB MAX.
 ISOLATION: 70dB MIN.

MECHANICAL

CONTACT: BREAK BEFORE MAKE
 ACTUATOR: LATCHING
 SWITCHING SPEED: 20 mSEC MAX

ELECTRICAL

ACTUATOR VOLTAGE: 28.0±3.0 Vdc
 ACTUATOR CURRENT: 200mA MAX @ 28.0 Vdc
 POWER HANDLING: 350W CW @ 1.0GHz
 IMPEDANCE: 50 Ohms

ENVIRONMENTAL

OPERATING TEMP: -54°C to +90°C
 SINE VIBRATION: 30 G'S rms
 LIFE: 1,000,000 CYCLES
 RANDOM VIBRATION: 20 G'S rms

MATERIAL:	DRAWING: Paiboon Luethamhan	DATE: 02-18-2009	MCLI MICROWAVE COMMUNICATIONS LABORATORIES INC. 7225 30TH AVE. N. SAINT PETERSBURG, FL 33710 TEL: (727) 344-8254 FAX: (727) 381-8116 http://www.mcli.com	SCALE: N/A
		APPROVED: T. Nguyen		DATE: 02-18-2009
UNLESS OTHERWISE SPECIFIED: TOLERANCES IN (INCHES) OR (mm) (MILLIMETERS) FRACTIONS: ± 1/64 DECIMALS: ±.02 ±.009 ANGLE: ±1/2°			DRAWING TITLE: ELECTROMECHANICAL SWITCHES	
REFERENCE: SEE DRAWING IN THIS DRAWING IS PROPERTY AND SHALL NOT BE USED OR REPRODUCED WITHOUT THE WRITTEN PERMISSION FROM MICROWAVE COMMUNICATIONS LABORATORIES INC. THIS DRAWING PREPARED BY:			PART NO. C2-3-L/28P	
CAGE CODE: OD2L5			SIZE: N/A	REV: N/A
DO NOT SCALE THE DRAWING			DWG NO. 84168	

4 3 2 1