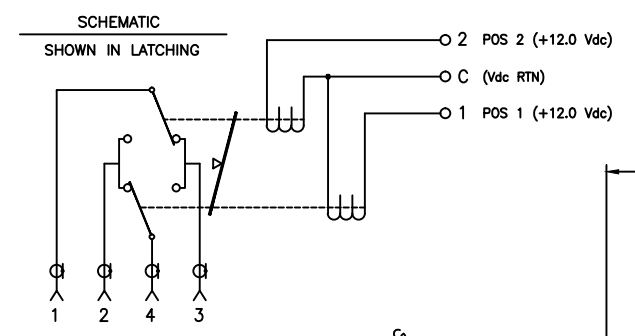
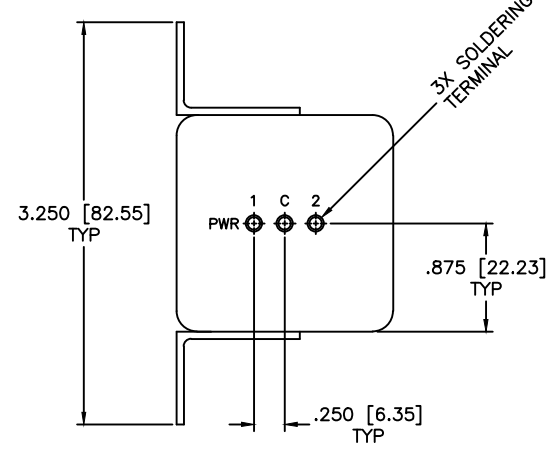


4 | 3 | 2 | 1

REVISIONS				
ZONE	REV	DESCRIPTION	DATE	APPROVED



POS 1 NORMALLY CLOSED  
POS 1 { 1-3 & 2-4 }  
POS 2 { 1-2 & 3-4 }

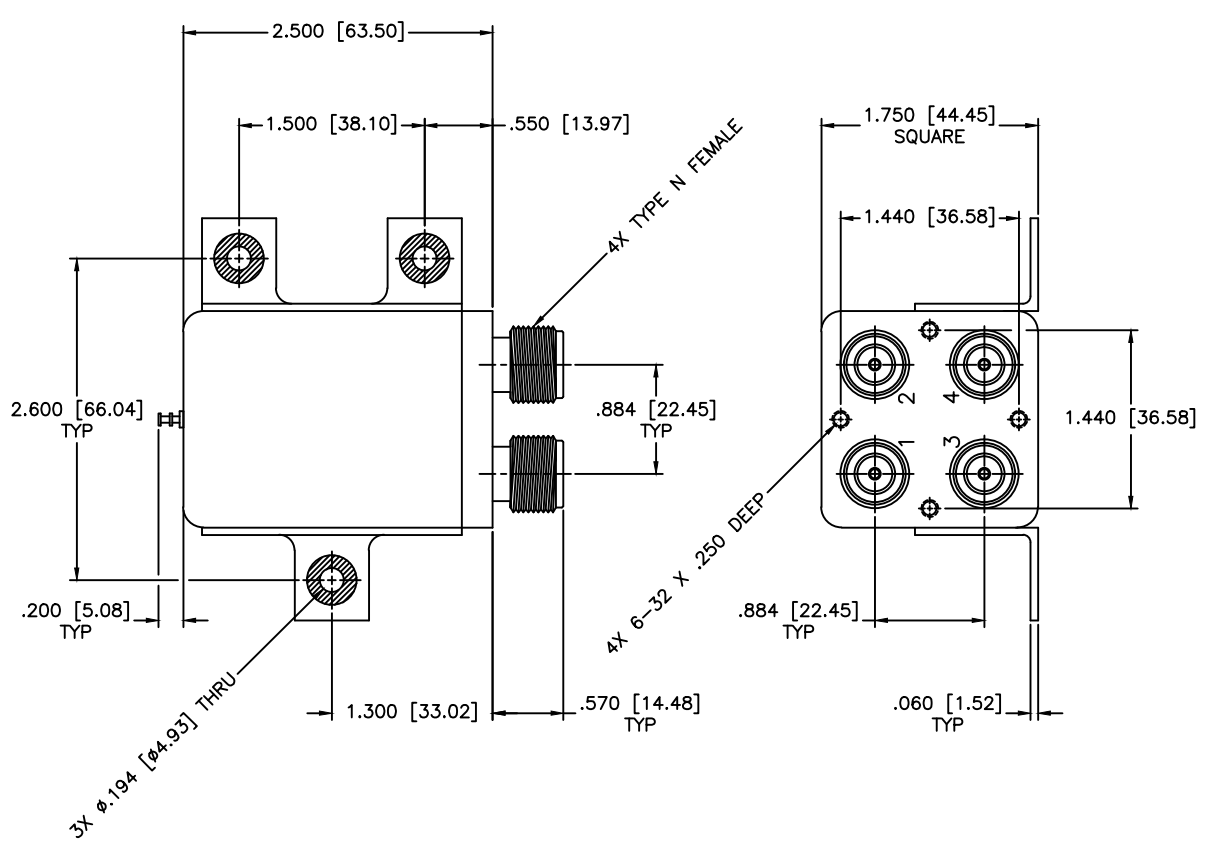


**SPECIFICATIONS**  
 FREQUENCY RANGE: DC-4.0 GHz  
 VSWR: 1.30:1 MAX.  
 INSERTION LOSS: 0.30dB MAX.  
 ISOLATION: 70dB MIN.

**MECHANICAL**  
 CONTACT: BREAK BEFORE MAKE  
 ACTUATOR: LATCHING  
 SWITCHING SPEED: 20 mSEC MAX

**ELECTRICAL**  
 ACTUATOR VOLTAGE: 12.0±3.0 Vdc  
 ACTUATOR CURRENT: 250mA MAX @ 12.0 Vdc  
 POWER HANDLING: 350W CW @ 1.0GHz  
 IMPEDANCE: 50 Ohms

**ENVIRONMENTAL**  
 OPERATING TEMP: -54°C to +90°C  
 SINE VIBRATION: 30 G'S rms  
 LIFE: 1,000,000 CYCLES  
 RANDOM VIBRATION: 20 G'S rms



MATERIAL:		MICROWAVE COMMUNICATIONS LABORATORIES INC. 7255 30TH AVE. N. SAINT PETERSBURG, FL 33710 TEL: (727) 344-6254 FAX: (727) 381-6116 http://WWW.MCLI.COM		SCALE: N/A
DRAWN: Paiboon Luekhamhan		UNLESS OTHERWISE SPECIFIED: TOLERANCES IN (INCHES) OR (MILLIMETERS) FRACTIONS: ± 1/64 DECIMALS: ± .02 ± .009 ANGLE: ± 1/2°		SHEET: N/A
DATE: 02-18-2009		DRAWING TITLE: ELECTROMECHANICAL SWITCHES		
APPROVED: T. Nguyen		PART NO. C2-3-L/12		
DATE: 02-18-2009		CAGE CODE: OD2L5		
PROPOSED NOTE: THE INFORMATION IN THIS DRAWING IS PROPRIETARY AND SHALL NOT BE USED OR DISCLOSED WITHOUT WRITTEN PERMISSION FROM MICROWAVE COMMUNICATIONS LABORATORIES INC. (MCLI)		SIZE: N/A REV: N/A DO NOT SCALE THE DRAWING		DWG NO. 84165

4 | 3 | 2 | 1