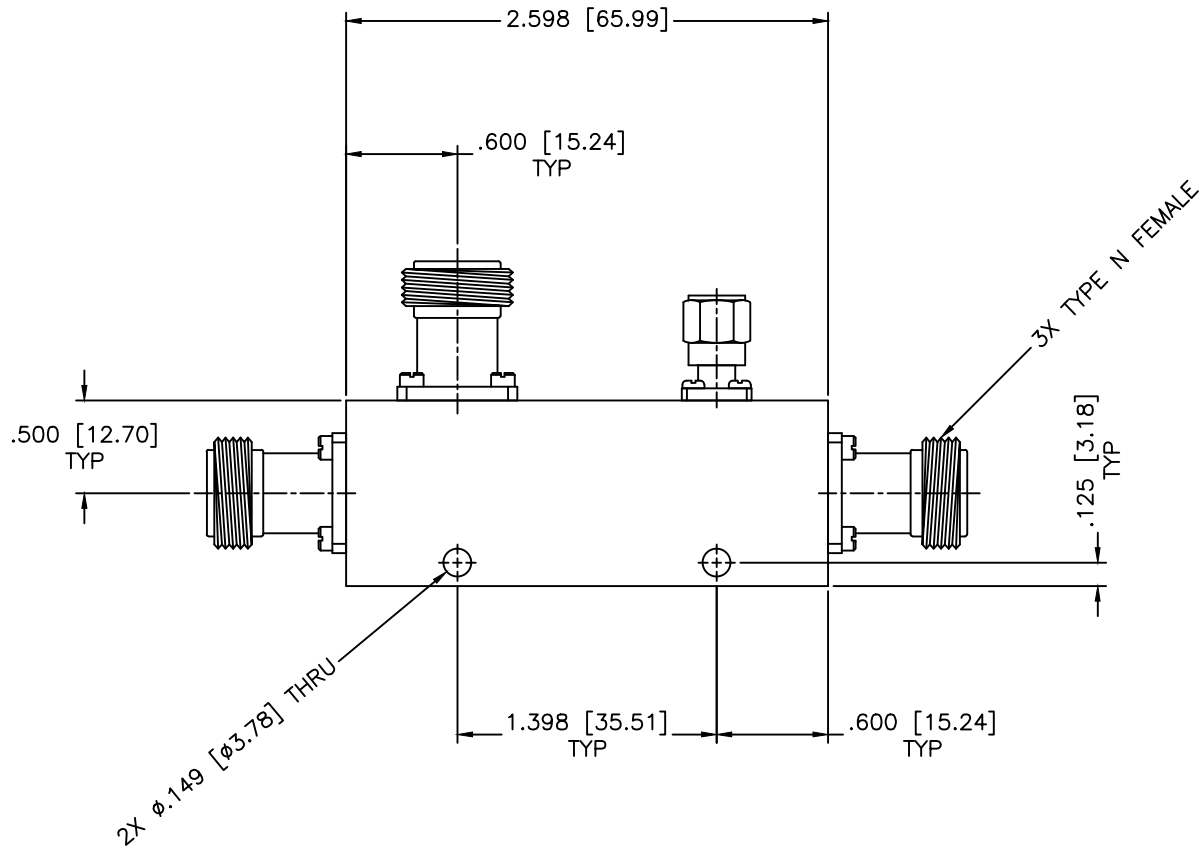
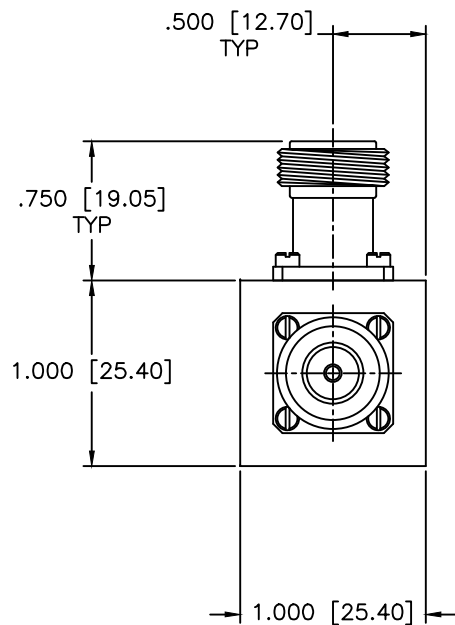


REVISIONS				
ZONE	REV	DESCRIPTION	DATE	APPROVED



**SPECIFICATIONS**

Frequency Range: 1–2 GHz  
 Coupling: 20±1.25dB  
 Frequency Sensitivity: ±0.75dB  
 Insertion Loss: 0.2dB Max.  
 Directivity: 20dB Min.  
 VSWR: 1.25:1 Max.  
 Power Incident, Reflected: 50W, 50W, 3kW Peak

MATERIAL:			MICROWAVE COMMUNICATIONS LABORATORIES INC. 7255 30TH AVE. N. SAINT PETERSBURG, FL 33710 TEL: (727) 344-6254 FAX: (727) 381-6116 http://WWW.MCLI.COM		SCALE: N/A
			UNLESS OTHERWISE SPECIFIED: TOLERANCES IN (INCHES) OR [mm] (MILLIMETERS) FRACTIONS: ± 1/64 DECIMALS: ±.01 ±.005 ANGLE: ±1/2°		SHEET: N/A
DRAWING TITLE:		DIRECTIONAL COUPLER			
PART NO.:		C2-20/NF			
DRAWN: Paiboon Luekhamhan	DATE: 12-06-2001	PROPRIETARY NOTICE: THE INFORMATION IN THIS DRAWING IS PROPRIETARY AND SHALL NOT BE USED OR DISCLOSED WITHOUT WRITTEN PERMISSION FROM MICROWAVE COMMUNICATIONS LABORATORIES INC. (MCLI)		CAGE CODE: OD2L5	SIZE: A REV: N/A DWG NO. 81917
APPROVED: T. Nguyen	DATE: 12-06-2001	THIRD ANGLE PROJECTION 		DO NOT SCALE THE DRAWING	