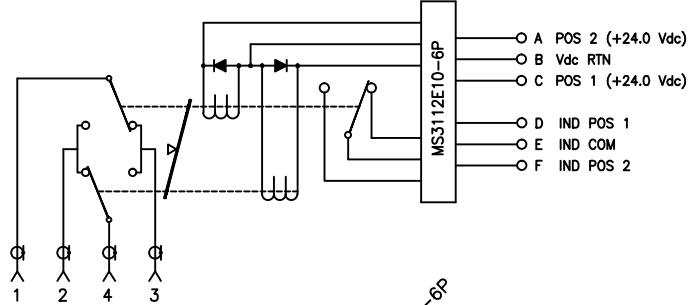
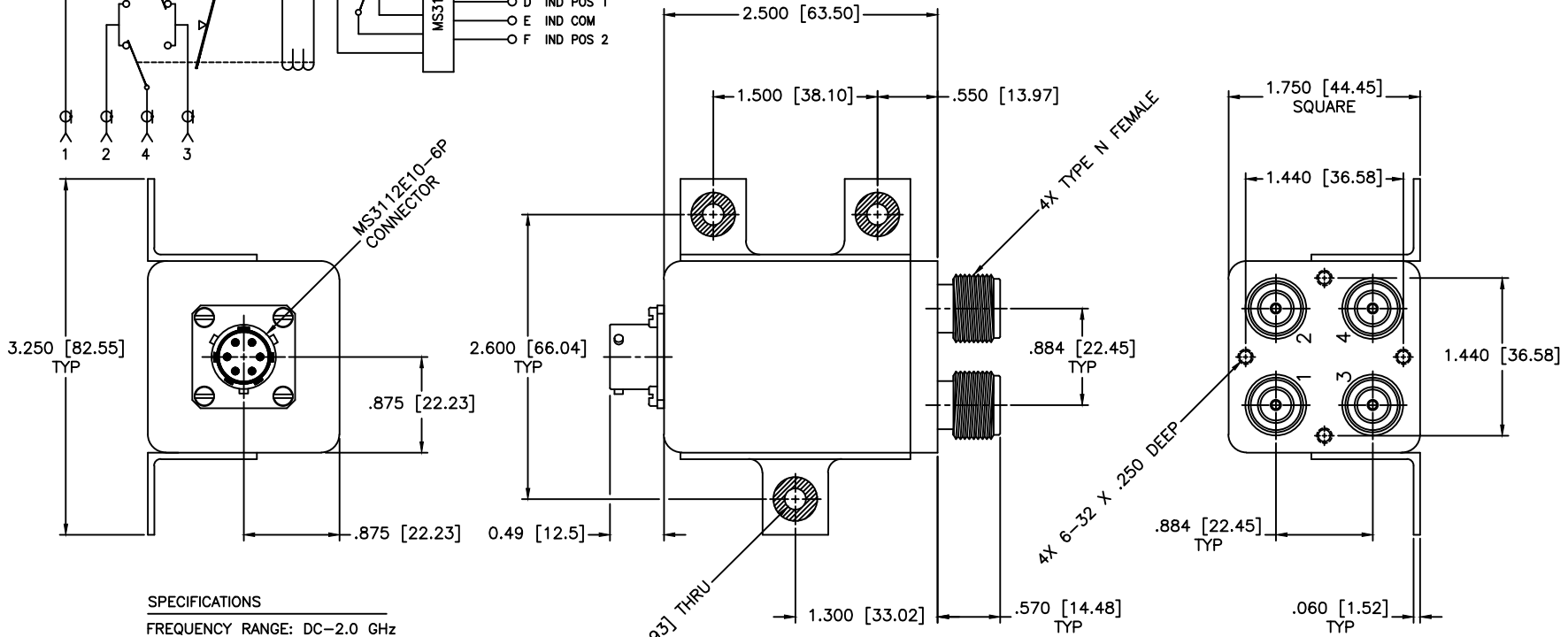


SCHEMATIC
LATCHING, INDICATOR, SUPPRESSION DIODE, 6-PINS



POS 1 NORMALLY CLOSED
POS 1 { 1-3 & 2-4 }
POS 2 { 1-2 & 3-4 }

| REVISIONS | | | | |
|-----------|-----|-------------|------|----------|
| ZONE | REV | DESCRIPTION | DATE | APPROVED |
| | | | | |



SPECIFICATIONS

FREQUENCY RANGE: DC-2.0 GHz
VSWR: 1.20:1 MAX.
INSERTION LOSS: 0.20dB MAX.
ISOLATION: 80dB MIN.

MECHANICAL

CONTACT: BREAK BEFORE MAKE
ACTUATOR: LATCHING
SWITCHING SPEED: 20 mSEC MAX

ELECTRICAL

ACTUATOR VOLTAGE: 24.0 \pm 3.0 Vdc
ACTUATOR CURRENT: 200mA MAX @ 24.0 Vdc
POWER HANDLING: 350W CW @ 1.0GHz
IMPEDANCE: 50 Ohms

ENVIRONMENTAL

OPERATING TEMP: -54°C to +90°C
SINE VIBRATION: 30 G'S rms
LIFE: 1,000,000 CYCLES
RANDOM VIBRATION: 20 G'S rms

| | | | | | |
|---|--|---|--|----------------------|------------|
| MATERIAL: | | | MICROWAVE COMMUNICATIONS LABORATORIES INC. 7255 30TH AVE. N. SAINT PETERSBURG, FL 33710 TEL: (727) 344-6254 FAX: (727) 381-6116 http://WWW.MCLI.COM | | SCALE: N/A |
| DRAWN: Paiboon Luekhamhan | | | UNLESS OTHERWISE SPECIFIED: TOLERANCES IN (INCHES) OR [mm] (MILLIMETERS) FRACTIONS: \pm 1/64 DECIMALS: \pm .02 \pm .009 ANGLE: \pm 1/2° | | SHEET: N/A |
| DATE: 07-27-2007 | | DRAWING TITLE: ELECTROMECHANICAL SWITCHES | | PART NO. C2-2-LIS/24 | |
| APPROVED: T. Nguyen | | CAGE CODE: OD2L5 | | SIZE: N/A | REV: N/A |
| THE INFORMATION IN THIS DRAWING IS PROPRIETARY AND SHALL NOT BE USED OR DISCLOSED WITHOUT WRITTEN PERMISSION FROM MICROWAVE COMMUNICATIONS LABORATORIES INC. (MCLI) | | DO NOT SCALE THE DRAWING | | DWG NO. 82875 | |