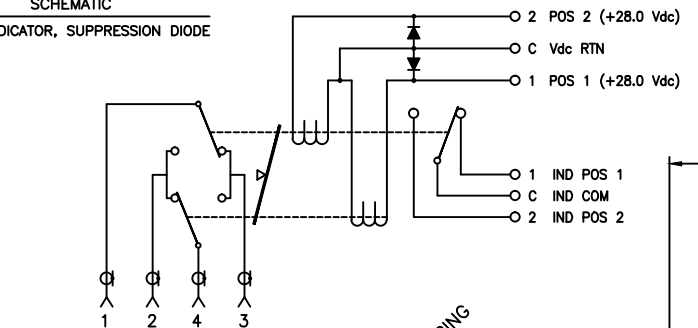


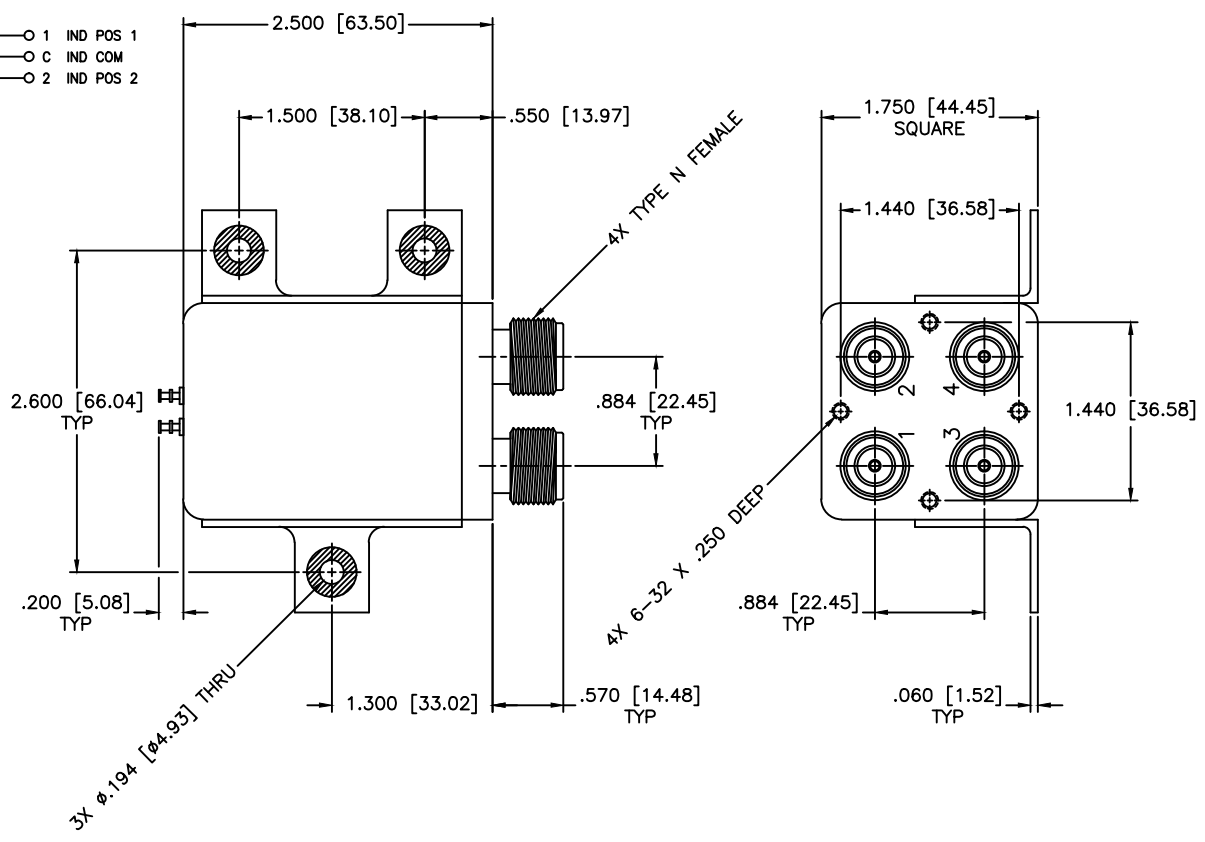
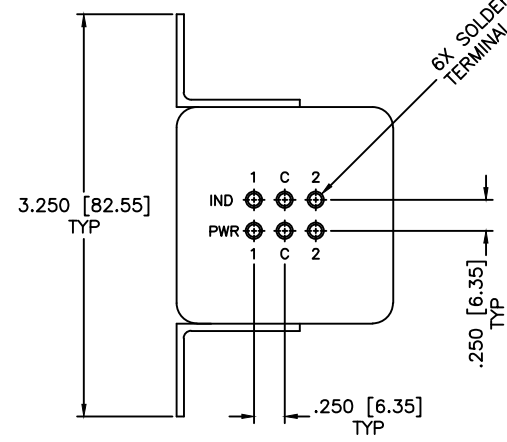
4 | 3 | 2 | 1

REVISIONS				
ZONE	REV	DESCRIPTION	DATE	APPROVED

SCHEMATIC
LATCHING, INDICATOR, SUPPRESSION DIODE



POS 1 NORMALLY CLOSED
 POS 1 { 1-3 & 2-4 }
 POS 2 { 1-2 & 3-4 }



SPECIFICATIONS

FREQUENCY RANGE: DC-2.0 GHz
 VSWR: 1.20:1 MAX.
 INSERTION LOSS: 0.20dB MAX.
 ISOLATION: 80dB MIN.

MECHANICAL

CONTACT: BREAK BEFORE MAKE
 ACTUATOR: LATCHING
 SWITCHING SPEED: 20 mSEC MAX

ELECTRICAL

ACTUATOR VOLTAGE: 28.0±3.0 Vdc
 ACTUATOR CURRENT: 200mA MAX @ 28.0 Vdc
 POWER HANDLING: 350W CW @ 1.0GHz
 IMPEDANCE: 50 Ohms

ENVIRONMENTAL

OPERATING TEMP: -54°C to +90°C
 SINE VIBRATION: 30 G'S rms
 LIFE: 1,000,000 CYCLES
 RANDOM VIBRATION: 20 G'S rms

MATERIAL:	MCLI MICROWAVE COMMUNICATIONS LABORATORIES INC. 7225 30TH AVE. N. SAINT PETERSBURG, FL 33710 TEL: (727) 344-6254 FAX: (727) 381-8116 HTTP://WWW.MCLI.COM	SCALE:	N/A
		DRAWING TITLE:	ELECTROMECHANICAL SWITCHES
DRAWN:	Paiboon Luekhamhan	DATE:	02-18-2009
APPROVED:	T. Nguyen	DATE:	02-18-2009
<small>UNLESS OTHERWISE SPECIFIED: TOLERANCES IN (INCHES) OR (mm) (MILLIMETERS) FRACTIONS: ± 1/64 DECIMALS: ±.02 ±.009 ANGLE: ±1/2°</small>		PART NO.:	C2-2-LIS
<small>CONNECTIONS: SEE DRAWINGS IN THIS DRAWING IS PROPRIETARY AND SHALL BE KEPT AS SUCH UNLESS OTHERWISE PROVIDED FOR IN WRITING. CONTACTS LABORATORY USE ONLY. THIS SCALE PRECEDES</small>		CAGE CODE:	OD2L5
		SIZE:	N/A
		REV:	N/A
		DWG NO.:	84162
DO NOT SCALE THE DRAWING			

4 | 3 | 2 | 1