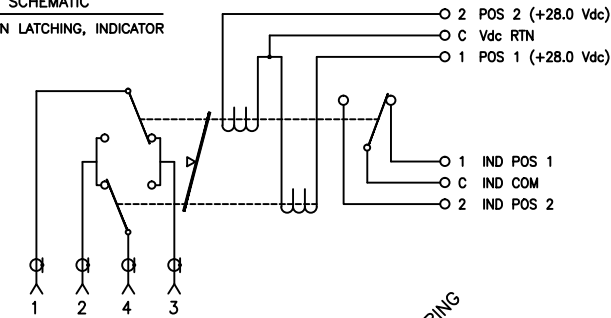
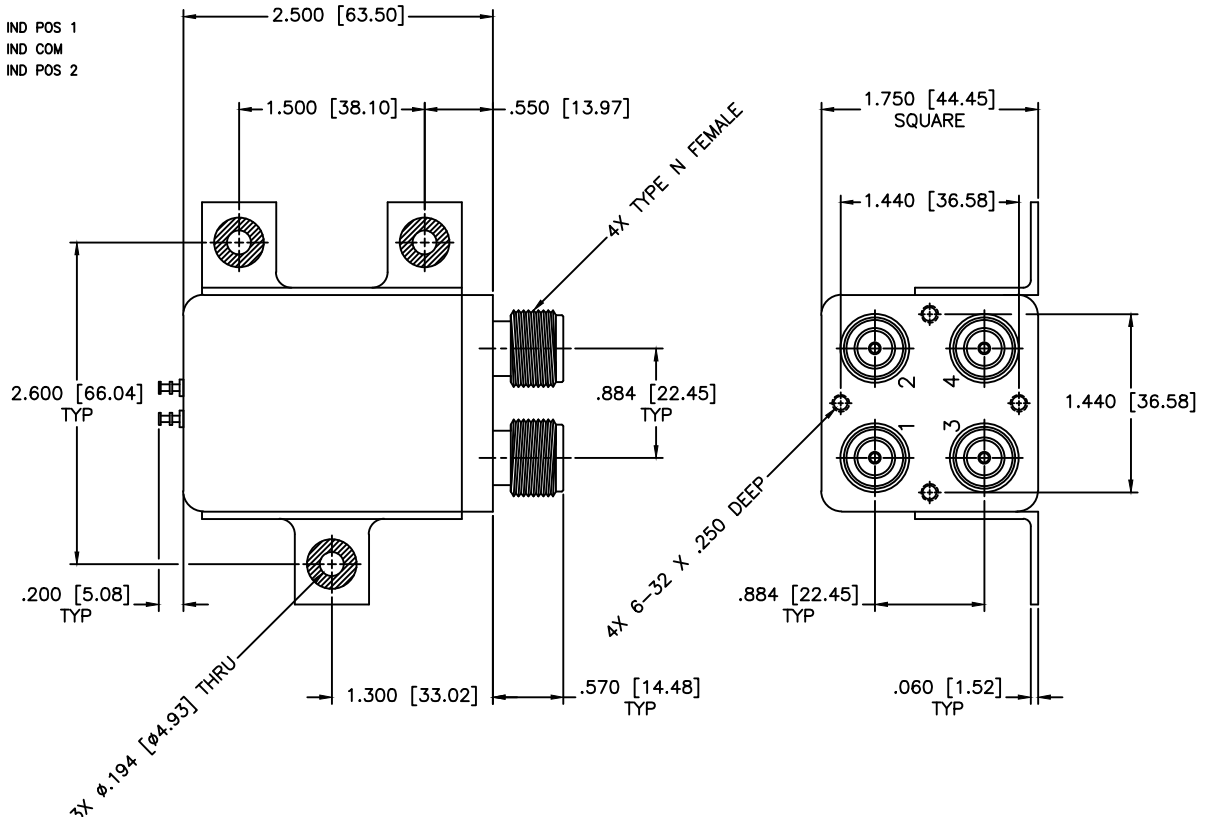
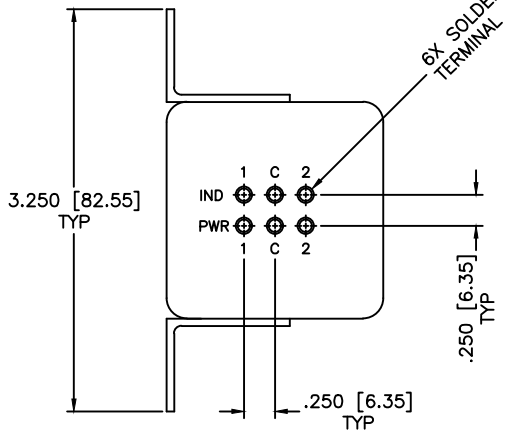


REVISIONS				
ZONE	REV	DESCRIPTION	DATE	APPROVED

**SCHEMATIC**  
SHOWN IN LATCHING, INDICATOR



POS 1 NORMALLY CLOSED  
POS 1 { 1-3 & 2-4 }  
POS 2 { 1-2 & 3-4 }



**SPECIFICATIONS**

FREQUENCY RANGE: DC-2.0 GHz  
VSWR: 1.20:1 MAX.  
INSERTION LOSS: 0.20dB MAX.  
ISOLATION: 80dB MIN.

**MECHANICAL**

CONTACT: BREAK BEFORE MAKE  
ACTUATOR: LATCHING  
SWITCHING SPEED: 20 mSEC MAX

**ELECTRICAL**

ACTUATOR VOLTAGE: 28.0±3.0 Vdc  
ACTUATOR CURRENT: 200mA MAX @ 28.0 Vdc  
POWER HANDLING: 350W CW @ 1.0GHz  
IMPEDANCE: 50 Ohms

**ENVIRONMENTAL**

OPERATING TEMP: -54°C to +90°C  
SINE VIBRATION: 30 G'S rms  
LIFE: 1,000,000 CYCLES  
RANDOM VIBRATION: 20 G'S rms

MATERIAL:	<b>MCLI</b> MICROWAVE COMMUNICATIONS LABORATORIES INC. 7225 30TH AVE. N. SAINT PETERSBURG, FL 33710 TEL: (727) 344-8254 FAX: (727) 381-8116 http://www.mcli.com	SCALE:	N/A
		SHEET:	N/A
DRAWING:	Paiboon Luekhamhan	DATE:	02-18-2009
APPROVED:	T. Nguyen	DATE:	02-18-2009
<small>UNLESS OTHERWISE SPECIFIED: TOLERANCES IN (INCHES) OR (mm) (MILLIMETERS) FRACTIONS: ± 1/64 DECIMALS: ±.02 ±.009 ANGLE: ±1/2°</small>		DRAWING TITLE: <b>ELECTROMECHANICAL SWITCHES</b>	
<small>PROPERTY OF MCLI NO PARTS TO BE REPRODUCED OR USED IN ANY MANNER WITHOUT THE WRITTEN PERMISSION FROM MICROWAVE COMMUNICATIONS LABORATORIES INC. THIS DRAWING IS UNCLASSIFIED</small>		PART NO.: <b>C2-2-LI</b>	
CAGE CODE: OD2L5		SIZE: N/A	REV: N/A
DO NOT SCALE THE DRAWING		DWG NO.: 84161	