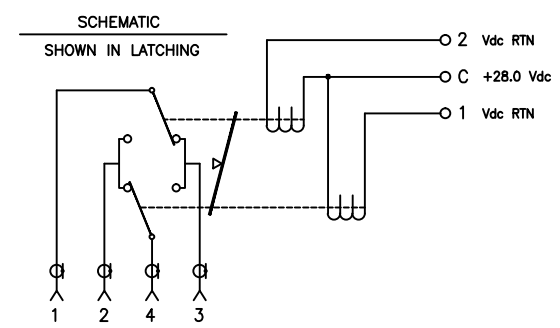
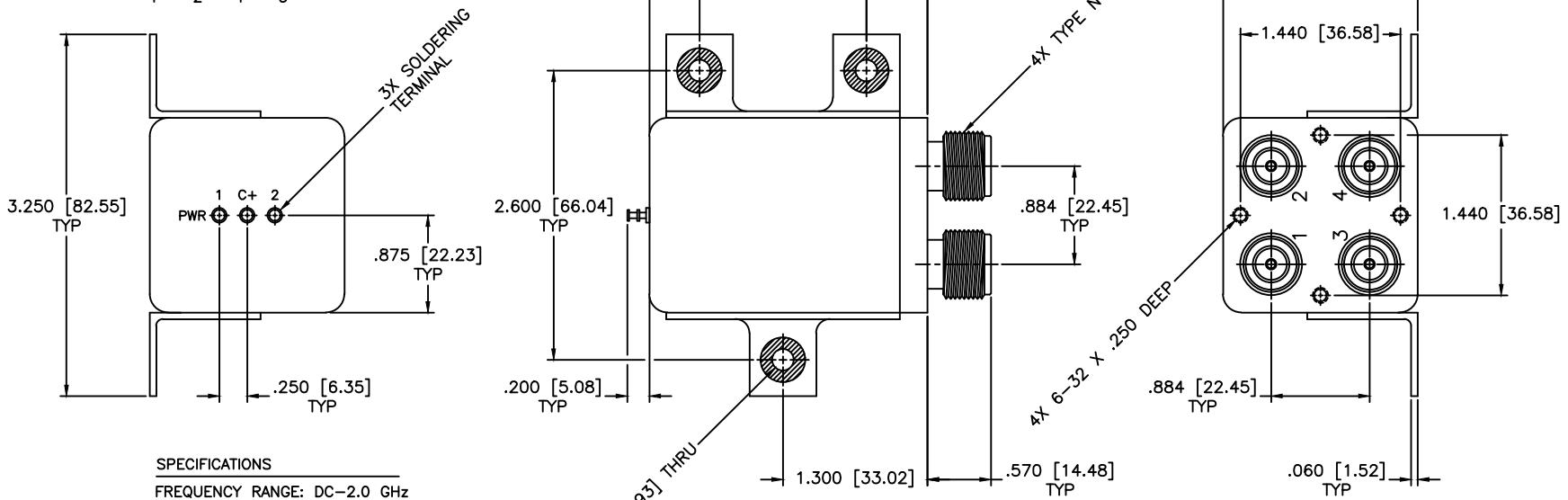


4 | 3 | 2 | 1

REVISIONS				
ZONE	REV	DESCRIPTION	DATE	APPROVED



POS 1 NORMALLY CLOSED  
 POS 1 { 1-3 & 2-4 }  
 POS 2 { 1-2 & 3-4 }



**SPECIFICATIONS**

FREQUENCY RANGE: DC-2.0 GHz  
 VSWR: 1.20:1 MAX.  
 INSERTION LOSS: 0.20dB MAX.  
 ISOLATION: 80dB MIN.

**MECHANICAL**

CONTACT: BREAK BEFORE MAKE  
 ACTUATOR: LATCHING  
 SWITCHING SPEED: 20 mSEC MAX

**ELECTRICAL**

ACTUATOR VOLTAGE: 28.0±3.0 Vdc  
 ACTUATOR CURRENT: 200mA MAX @ 28.0 Vdc  
 POWER HANDLING: 350W CW @ 1.0GHz  
 IMPEDANCE: 50 Ohms

**ENVIRONMENTAL**

OPERATING TEMP: -54°C to +90°C  
 SINE VIBRATION: 30 G'S rms  
 LIFE: 1,000,000 CYCLES  
 RANDOM VIBRATION: 20 G'S rms

MATERIAL:		<b>MCLI</b> MICROWAVE COMMUNICATIONS LABORATORIES INC. 7225 30TH AVE. N. SAINT PETERSBURG, FL 33710 TEL: (727) 344-8254 FAX: (727) 381-8116 http://www.mcli.com		SCALE: N/A
DRAWING TITLE:		ELECTROMECHANICAL SWITCHES		SHEET: N/A
PART NO.:		C2-2-L/28P		
CAGE CODE:	SIZE:	REV:	DWG NO.:	
OD2L5	N/A	N/A	84164	
DO NOT SCALE THE DRAWING				

4 | 3 | 2 | 1