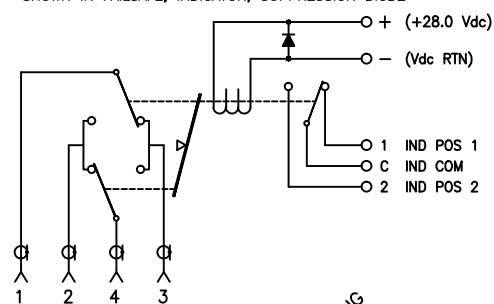


4 3 2 1

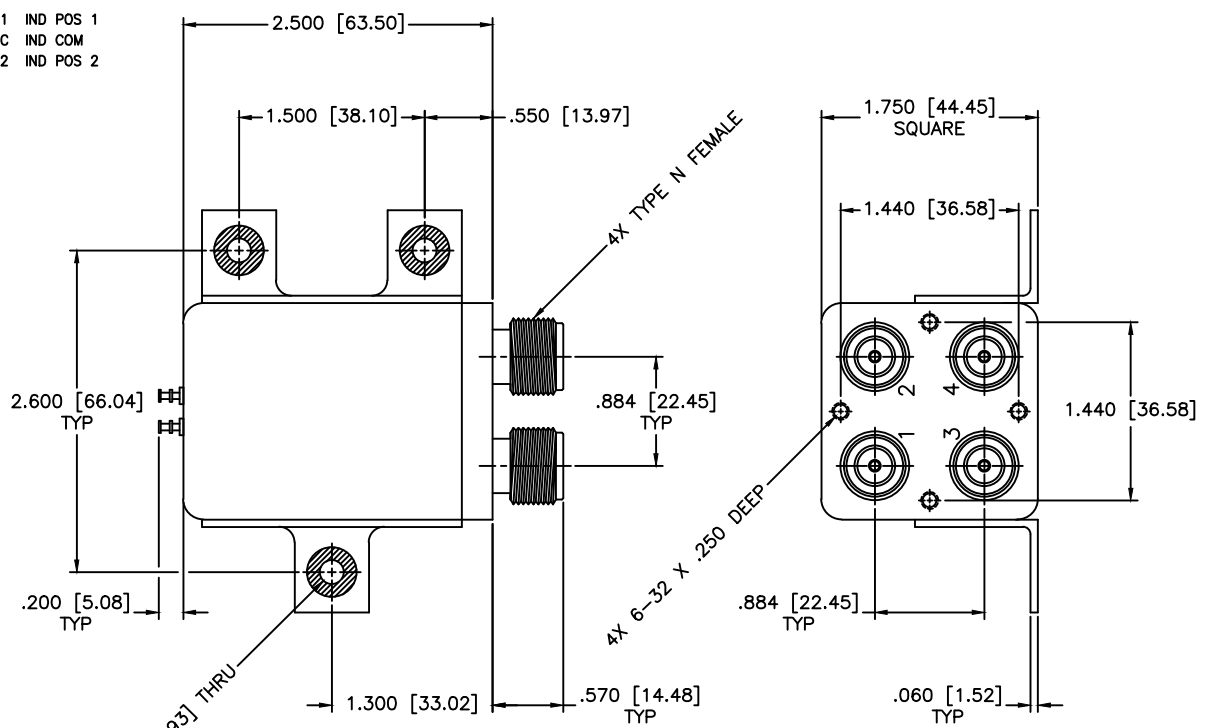
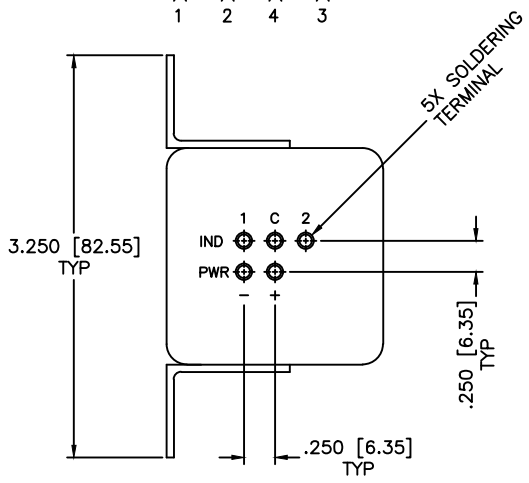
SCHEMATIC

SHOWN IN FAILSAFE, INDICATOR, SUPPRESSION DIODE



POS 1 NORMALLY CLOSED
 POS 1 { 1-3 & 2-4 }
 POS 2 { 1-2 & 3-4 }

REVISIONS				
ZONE	REV	DESCRIPTION	DATE	APPROVED



SPECIFICATIONS

FREQUENCY RANGE: DC-2.0 GHz
 VSWR: 1.20:1 MAX.
 INSERTION LOSS: 0.20dB MAX.
 ISOLATION: 80dB MIN.

MECHANICAL

CONTACT: BREAK BEFORE MAKE
 ACTUATOR: FAILSAFE
 SWITCHING SPEED: 20 mSEC MAX

ELECTRICAL

ACTUATOR VOLTAGE: 28.0±3.0 Vdc
 ACTUATOR CURRENT: 250mA MAX @ 28.0 Vdc
 POWER HANDLING: 350W CW @ 1.0GHz
 IMPEDANCE: 50 Ohms

ENVIRONMENTAL

OPERATING TEMP: -54°C to +90°C
 SINE VIBRATION: 30 G's rms
 LIFE: 1,000,000 CYCLES
 RANDOM VIBRATION: 20 G's rms

3x ϕ .194 [ϕ 4.93] THRU

4X TYPE N FEMALE
 4X 6-32 X .250 DEEP

MATERIAL:		MCLI MICROWAVE COMMUNICATIONS LABORATORIES INC. 7225 30TH AVE. N. SAINT PETERSBURG, FL 33710 TEL: (727) 344-6254 FAX: (727) 381-8116 http://www.mcli.com		SCALE: N/A
DRAWING TITLE:		ELECTROMECHANICAL SWITCHES		SHEET: N/A
PART NO.:		C2-2-FIS		
DRAWN: Paiboon Luekhamhan DATE: 02-18-2009	APPROVED: T. Nguyen DATE: 02-18-2009	CAGE CODE: OD2L5 SIZE: N/A REV: N/A	DWG NO.: 84171 DO NOT SCALE THE DRAWING	

4 3 2 1