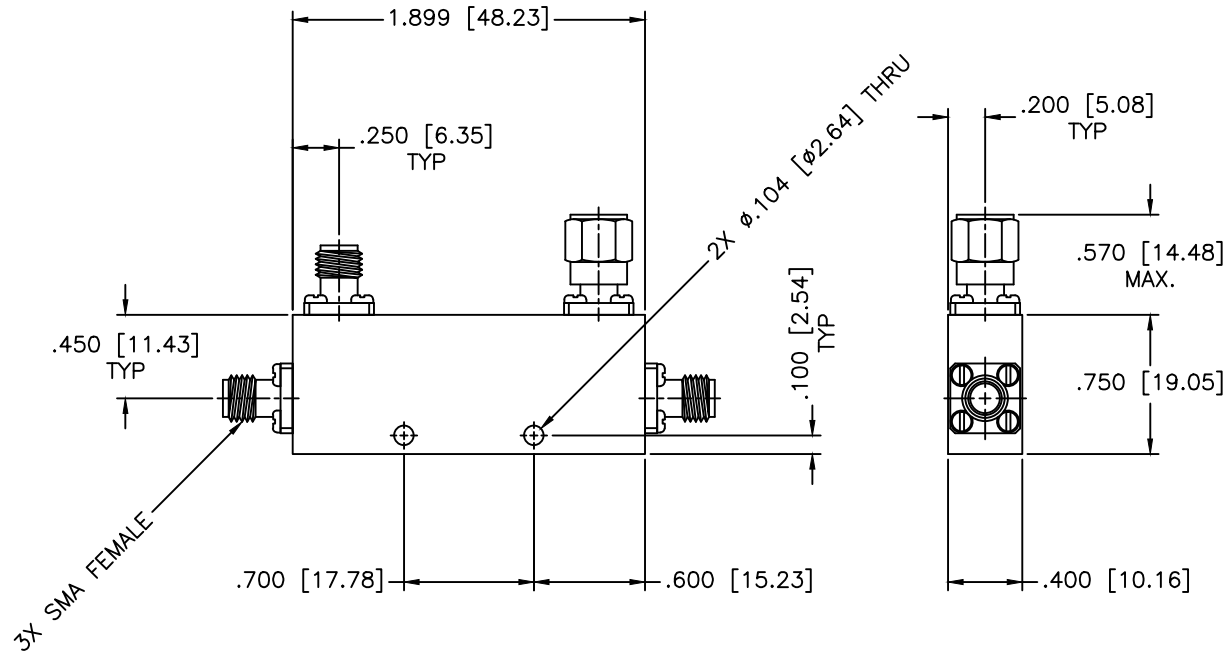


REVISIONS				
ZONE	REV	DESCRIPTION	DATE	APPROVED



SPECIFICATIONS

- Frequency Range: 1–2 GHz
- Coupling: 10±1.0dB
- Frequency Sensitivity: ±0.75dB
- Insertion Loss: 0.9dB Max.
- Directivity: 25dB Min.
- VSWR: 1.10:1 Max.
- Power Incident, Reflected: 50W, 5W, 3kW Peak

MATERIAL:		MCLI	MICROWAVE COMMUNICATIONS LABORATORIES INC. 7255 30TH AVE. N. SAINT PETERSBURG, FL 33710 TEL: (727) 344-6254 FAX: (727) 381-6116 http://WWW.MCLI.COM		SCALE: N/A
UNLESS OTHERWISE SPECIFIED: TOLERANCES IN (INCHES) OR [mm] (MILLIMETERS) FRACTIONS: ± 1/64 DECIMALS: ±.01 ±.005 ANGLE: ±1/2°			DRAWING TITLE: DIRECTIONAL COUPLER		
		DRAWN: Paiboon Luexhamhan DATE: 11-10-1998		PART NO. C2-10	
APPROVED: T. Nguyen DATE: 11-10-1998		PROPRIETARY NOTICE: THE INFORMATION IN THIS DRAWING IS PROPRIETARY AND SHALL NOT BE USED OR DISCLOSED WITHOUT WRITTEN PERMISSION FROM MICROWAVE COMMUNICATIONS LABORATORIES INC. (MCLI)	CAGE CODE: OD2L5	SIZE: A	REV: N/A
		THIRD ANGLE PROJECTION	DO NOT SCALE THE DRAWING		DWG NO. 80375