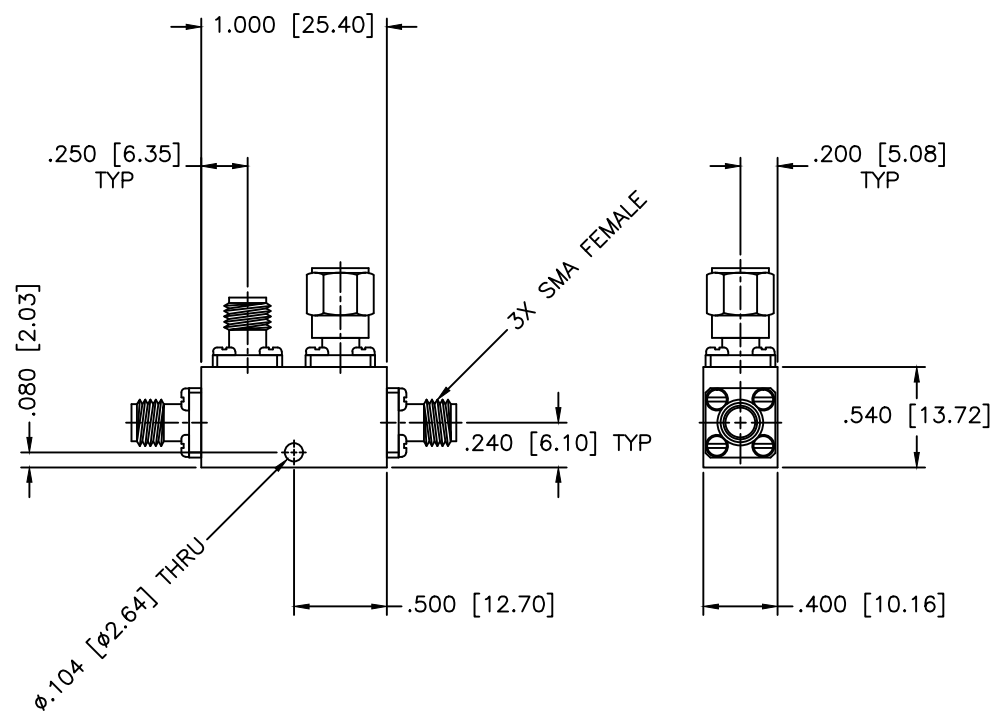


REVISIONS				
ZONE	REV	DESCRIPTION	DATE	APPROVED



**SPECIFICATIONS**

Frequency Range: 3.6–4.2 GHz  
 Coupling: 20±1.0dB  
 Frequency Sensitivity: ±0.3dB  
 Insertion Loss: 0.55dB Max.  
 Directivity: 15dB Min.  
 VSWR: 1.40:1 Max.  
 Power Incident, Reflected: 50W, 50W, 3kW Peak

MATERIAL:		MICROWAVE COMMUNICATIONS LABORATORIES INC. 7255 30TH AVE. N. SAINT PETERSBURG, FL 33710 TEL: (727) 344-6254 FAX: (727) 381-6116 http://WWW.MCLI.COM	SCALE:	N/A		
			SHEET:	N/A		
UNLESS OTHERWISE SPECIFIED: TOLERANCES IN (INCHES) OR [mm] (MILLIMETERS) FRACTIONS: ± 1/64 DECIMALS: ±.01 ±.005 ANGLE: ±1/2°		DRAWING TITLE:				
		DIRECTIONAL COUPLER				
DRAWN:		PART NO.				
Paiboon Luekhamhan		C19-20				
DATE:	09-30-1999	PROPRIETARY NOTICE: THE INFORMATION IN THIS DRAWING IS PROPRIETARY AND SHALL NOT BE USED OR DISCLOSED WITHOUT WRITTEN PERMISSION FROM MICROWAVE COMMUNICATIONS LABORATORIES INC. (MCLI)	CAGE CODE:	SIZE:	REV:	DWG NO.
APPROVED:	T. Nguyen		09-30-1999	OD2L5	A	N/A
		THIRD ANGLE PROJECTION	DO NOT SCALE THE DRAWING			