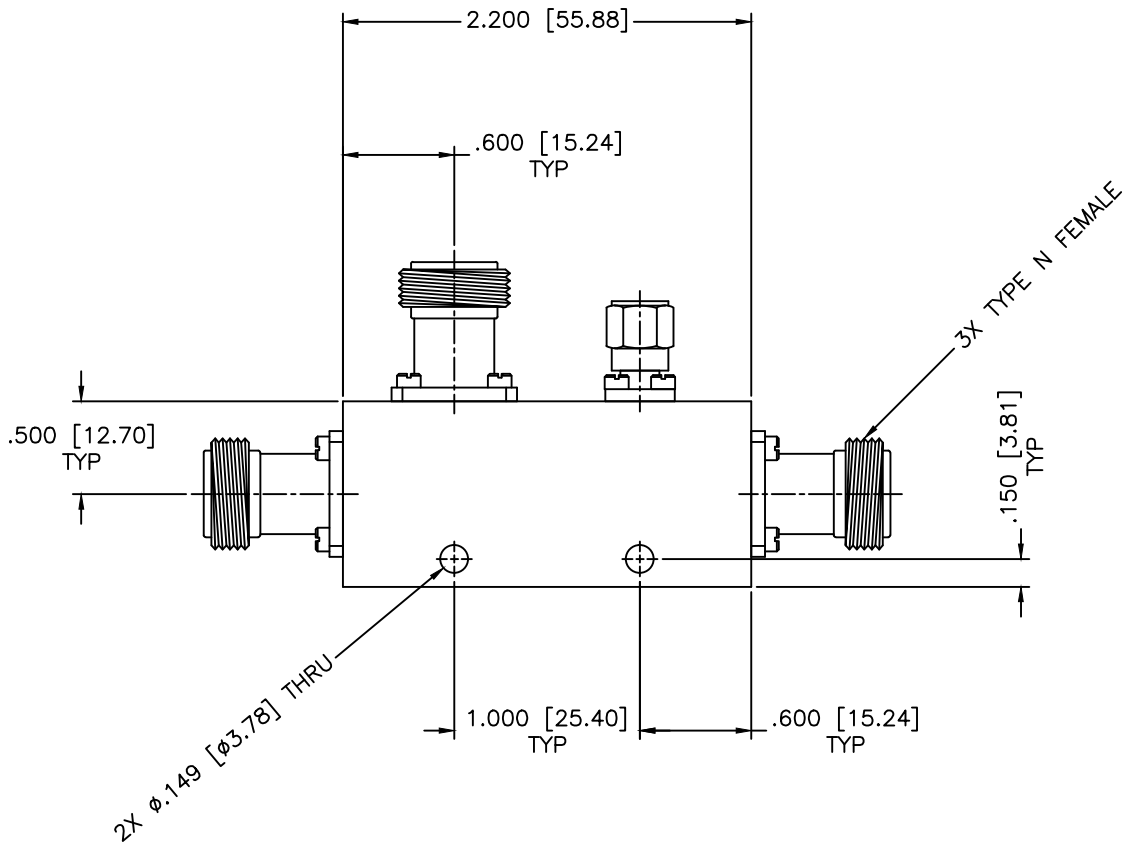
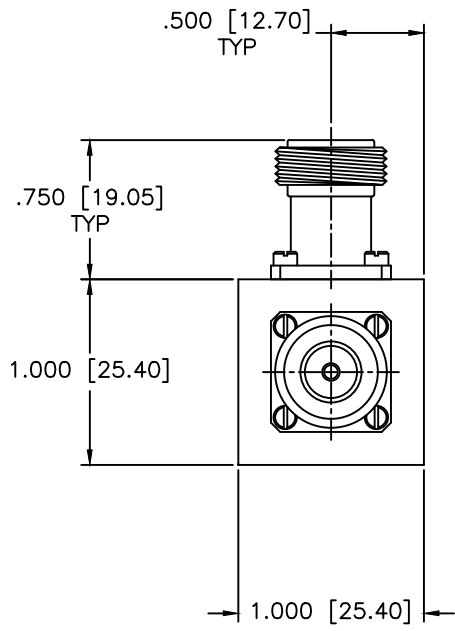


REVISIONS				
ZONE	REV	DESCRIPTION	DATE	APPROVED



SPECIFICATIONS

Frequency Range: 7.2–8.5 GHz
 Coupling: 6±1.0dB
 Frequency Sensitivity: ±0.75dB
 Insertion Loss: 0.90dB Max.
 Directivity: 17dB Min.
 VSWR: 1.35:1 Max.
 Power Incident, Reflected: 50W, 2W, 1kW Peak

MATERIAL:		MICROWAVE COMMUNICATIONS LABORATORIES INC. 7255 30TH AVE. N. SAINT PETERSBURG, FL 33710 TEL: (727) 344-6254 FAX: (727) 381-6116 http://WWW.MCLI.COM	SCALE:	N/A
			SHEET:	N/A
UNLESS OTHERWISE SPECIFIED: TOLERANCES IN (INCHES) OR [mm] (MILLIMETERS) FRACTIONS: ± 1/64 DECIMALS: ±.01 ±.005 ANGLE: ±1/2°		DRAWING TITLE: DIRECTIONAL COUPLER		
DRAWN: Paiboon Luekhamhan		PART NO. C18-6/NF		
DATE: 11-10-1998		CAGE CODE:	SIZE: A	REV: N/A
APPROVED: T. Nguyen		DO NOT SCALE THE DRAWING		DWG NO. 80457
DATE: 11-10-1998				