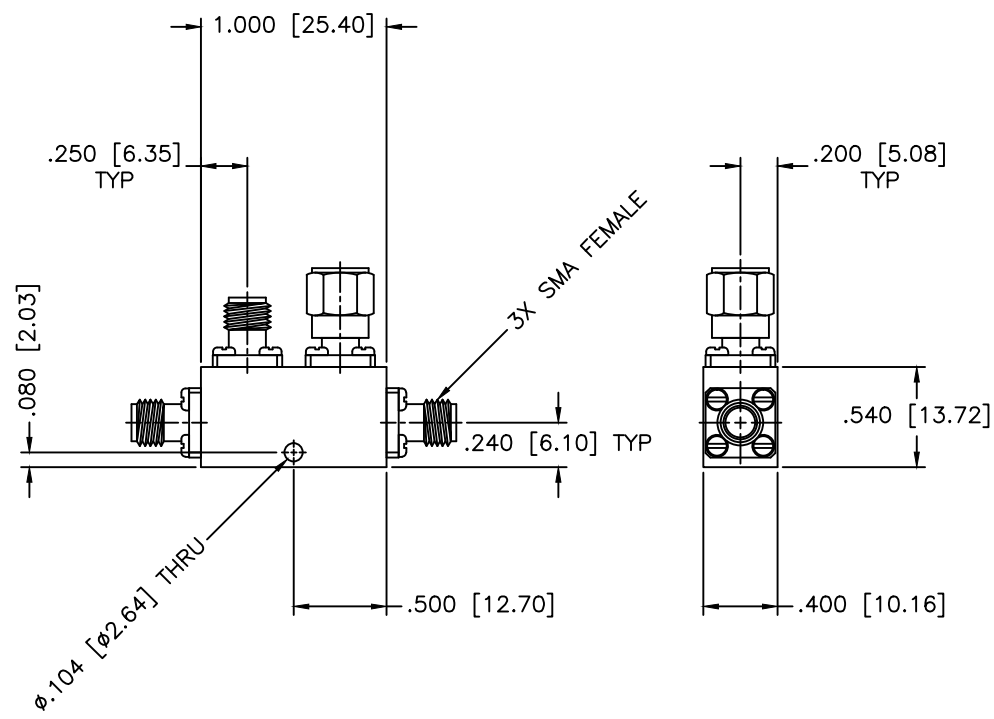


REVISIONS				
ZONE	REV	DESCRIPTION	DATE	APPROVED



SPECIFICATIONS

Frequency Range: 7.2–8.5 GHz
 Coupling: 6 ± 1.0 dB
 Frequency Sensitivity: ± 0.3 dB
 Insertion Loss: 2.0 dB Max.
 Directivity: 15 dB Min.
 VSWR: 1.45:1 Max.
 Power Incident, Reflected: 50W, 3W, 3kW Peak

MATERIAL:		MICROWAVE COMMUNICATIONS LABORATORIES INC. 7255 30TH AVE. N. SAINT PETERSBURG, FL 33710 TEL: (727) 344-6254 FAX: (727) 381-6116 http://WWW.MCLI.COM	SCALE:	N/A
			SHEET:	N/A
		UNLESS OTHERWISE SPECIFIED: TOLERANCES IN (INCHES) OR [mm] (MILLIMETERS) FRACTIONS: $\pm 1/64$ DECIMALS: $\pm 0.01 \pm 0.005$ ANGLE: $\pm 1/2^\circ$	DRAWING TITLE: DIRECTIONAL COUPLER	
DRAWN: Paiboon Luekhamhan		DATE: 09-30-1999	PART NO. C18-6	
APPROVED: T. Nguyen		DATE: 09-30-1999	CAGE CODE: OD2L5	SIZE: A REV: N/A DWG NO. 80454
		PROPRIETARY NOTICE: THE INFORMATION IN THIS DRAWING IS PROPRIETARY AND SHALL NOT BE USED OR DISCLOSED WITHOUT WRITTEN PERMISSION FROM MICROWAVE COMMUNICATIONS LABORATORIES INC. (MCLI) THIRD ANGLE PROJECTION 	DO NOT SCALE THE DRAWING	