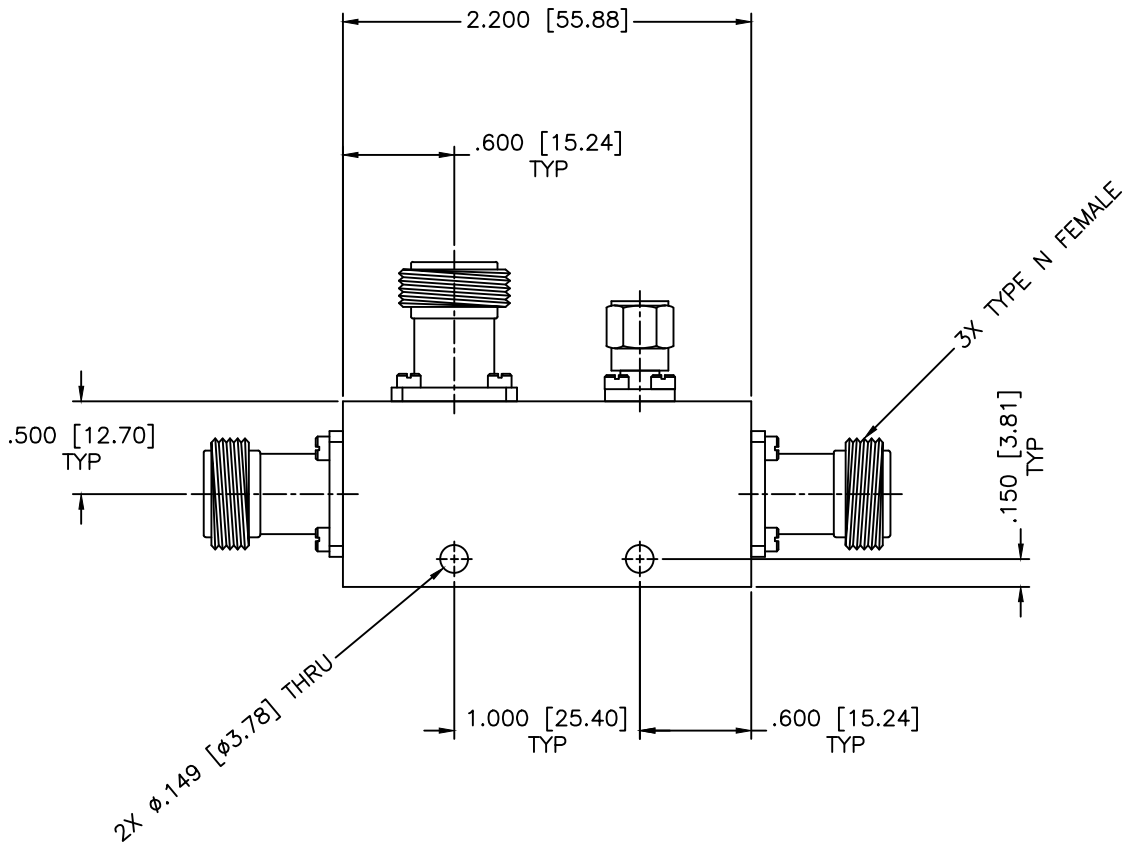
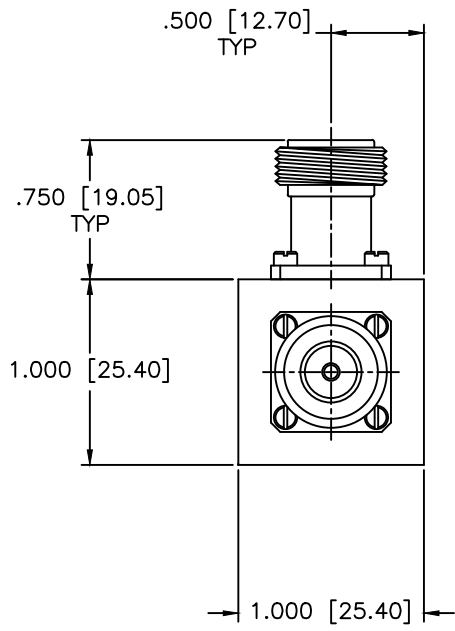


REVISIONS				
ZONE	REV	DESCRIPTION	DATE	APPROVED



SPECIFICATIONS

Frequency Range: 7.2–8.5 GHz
 Coupling: 20±1.0dB
 Frequency Sensitivity: ±0.75dB
 Insertion Loss: 0.30dB Max.
 Directivity: 17dB Min.
 VSWR: 1.35:1 Max.
 Power Incident, Reflected: 50W, 50W, 3kW Peak

MATERIAL:	
DRAWN: Paiboon Luekhamhan	DATE: 11-10-1998
APPROVED: T. Nguyen	DATE: 11-10-1998

MICROWAVE COMMUNICATIONS LABORATORIES INC. 7255 30TH AVE. N. SAINT PETERSBURG, FL 33710 TEL: (727) 344-6254 FAX: (727) 381-6116 http://WWW.MCLI.COM		SCALE: N/A
UNLESS OTHERWISE SPECIFIED: TOLERANCES IN (INCHES) OR [mm] (MILLIMETERS) FRACTIONS: ± 1/64 DECIMALS: ±.01 ±.005 ANGLE: ±1/2°		SHEET: N/A
DRAWING TITLE: DIRECTIONAL COUPLER		
PART NO. C18-20/NF		
CAGE CODE: OD2L5	SIZE: A	REV: N/A
DO NOT SCALE THE DRAWING		DWG NO. 80460

PROPRIETARY NOTICE:
 THE INFORMATION IN THIS DRAWING IS PROPRIETARY
 AND SHALL NOT BE USED OR DISCLOSED WITHOUT WRITTEN
 PERMISSION FROM MICROWAVE COMMUNICATIONS
 LABORATORIES INC. (MCLI)

THIRD ANGLE PROJECTION