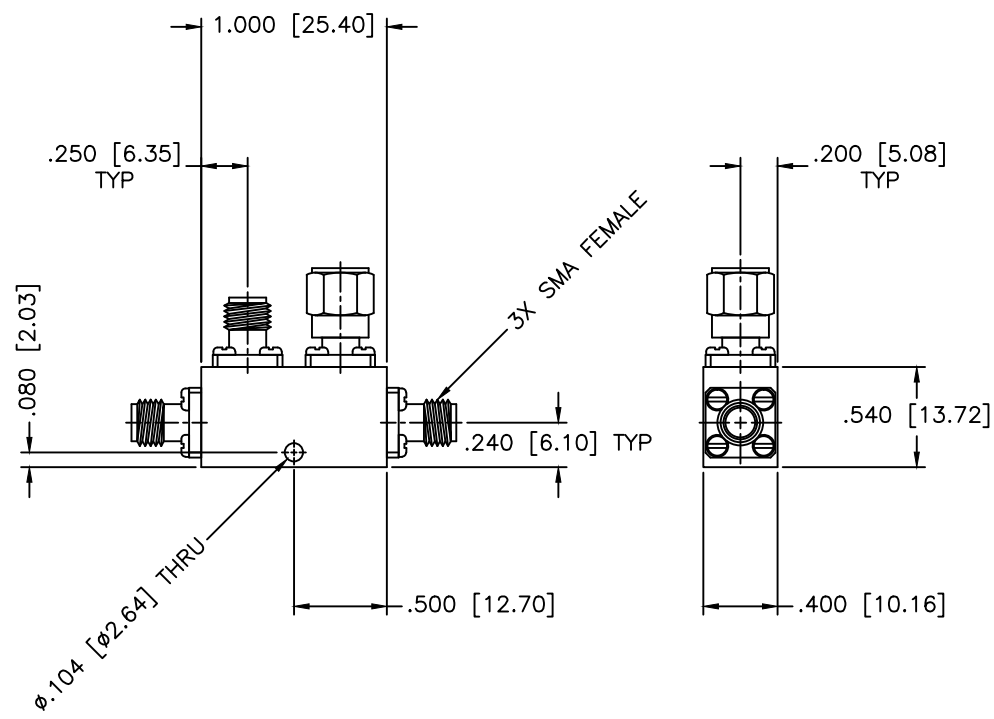


REVISIONS				
ZONE	REV	DESCRIPTION	DATE	APPROVED



SPECIFICATIONS

Frequency Range: 8.025–8.4 GHz
 Coupling: 6 ± 1.25 dB
 Frequency Sensitivity: ± 0.75 dB
 Insertion Loss: 2.0dB Max.
 Directivity: 15dB Min.
 VSWR: 1.40:1 Max.
 Power Incident, Reflected: 50W, 2W, 3kW Peak

MATERIAL:			MICROWAVE COMMUNICATIONS LABORATORIES INC. 7255 30TH AVE. N. SAINT PETERSBURG, FL 33710 TEL: (727) 344-6254 FAX: (727) 381-6116 http://WWW.MCLI.COM		SCALE:	N/A
			UNLESS OTHERWISE SPECIFIED: TOLERANCES IN (INCHES) OR [mm] (MILLIMETERS) FRACTIONS: $\pm 1/64$ DECIMALS: $\pm 0.01 \pm 0.005$ ANGLE: $\pm 1/2^\circ$		DRAWING TITLE:	DIRECTIONAL COUPLER
DRAWN:		DATE:		PART NO.		C17-6-MS
Paiboon Luekhamhan		09-30-1999		CAGE CODE:		
APPROVED:		DATE:		SIZE:		80450
T. Nguyen		09-30-1999		A		
		PROPRIETARY NOTICE: THE INFORMATION IN THIS DRAWING IS PROPRIETARY AND SHALL NOT BE USED OR DISCLOSED WITHOUT WRITTEN PERMISSION FROM MICROWAVE COMMUNICATIONS LABORATORIES INC. (MCLI)		REV:		N/A
		THIRD ANGLE PROJECTION 		DWG NO.		
				DO NOT SCALE THE DRAWING		