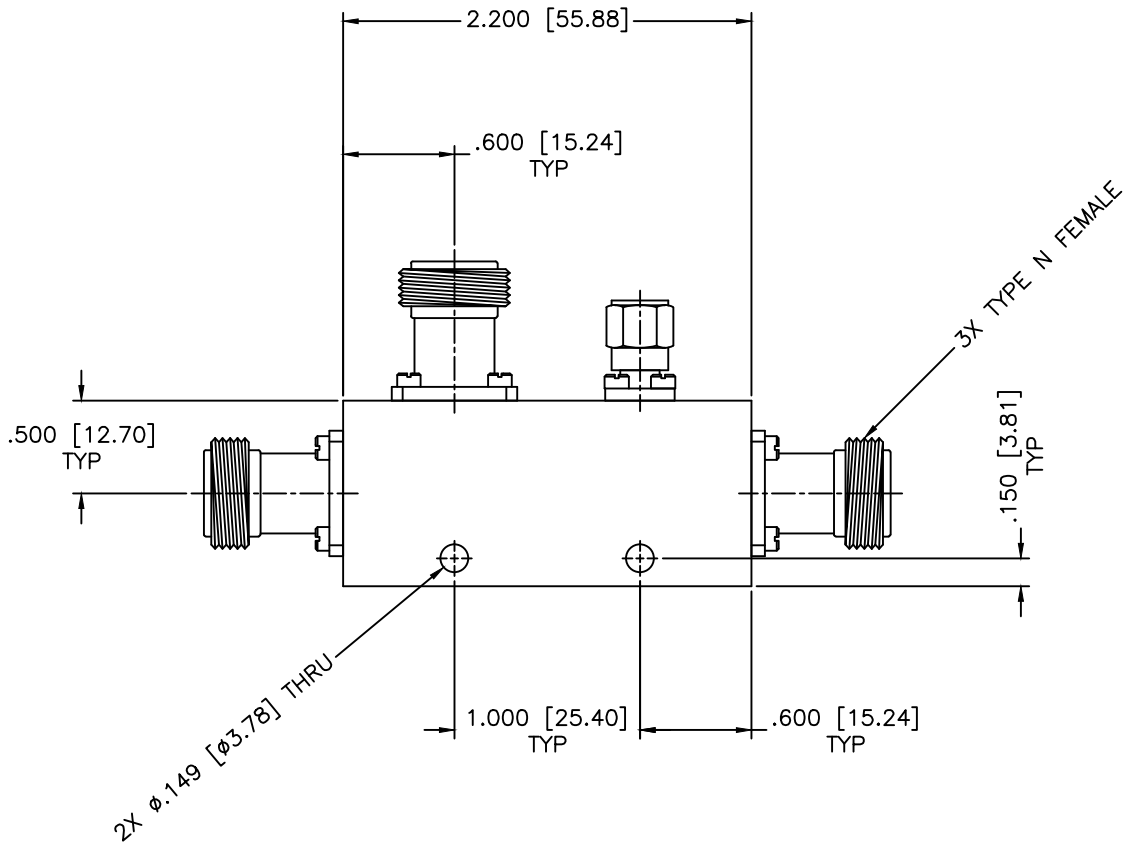
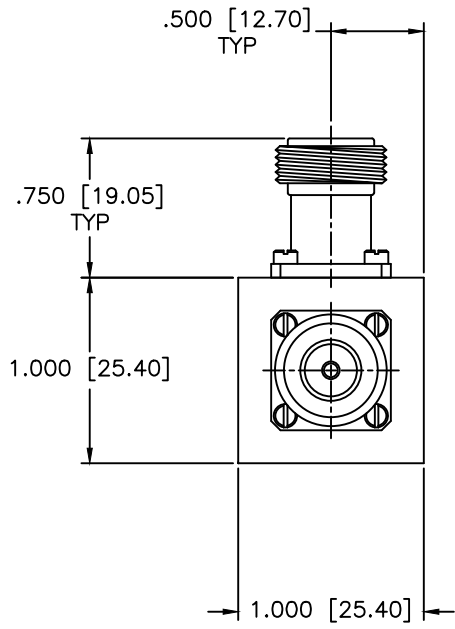


REVISIONS				
ZONE	REV	DESCRIPTION	DATE	APPROVED



**SPECIFICATIONS**

Frequency Range: 5.7–10.2 GHz  
 Coupling: 20±1.5dB  
 Frequency Sensitivity: ±0.85dB  
 Insertion Loss: 0.75dB Max.  
 Directivity: 13dB Min.  
 VSWR: 1.50:1 Max.  
 Power Incident, Reflected: 50W, 50W, 3kW Peak

MATERIAL:		MICROWAVE COMMUNICATIONS LABORATORIES INC. 7255 30TH AVE. N. SAINT PETERSBURG, FL 33710 TEL: (727) 344-6254 FAX: (727) 381-6116 http://WWW.MCLI.COM	SCALE:	N/A
			SHEET:	N/A
UNLESS OTHERWISE SPECIFIED: TOLERANCES IN (INCHES) OR [mm] (MILLIMETERS) FRACTIONS: ± 1/64 DECIMALS: ±.01 ±.005 ANGLE: ±1/2°		DRAWING TITLE: <b>DIRECTIONAL COUPLER</b>		
DRAWN: Paiboon Luekhamhan		PART NO. C17-20/NF		
DATE: 11-13-1997		CAGE CODE: OD2L5		
APPROVED: T. Nguyen		DATE: 11-13-1997		
PROPRIETARY NOTICE: THE INFORMATION IN THIS DRAWING IS PROPRIETARY AND SHALL NOT BE USED OR DISCLOSED WITHOUT WRITTEN PERMISSION FROM MICROWAVE COMMUNICATIONS LABORATORIES INC. (MCLI)		SIZE: A	REV: N/A	DWG NO. 80448
THIRD ANGLE PROJECTION 		DO NOT SCALE THE DRAWING		