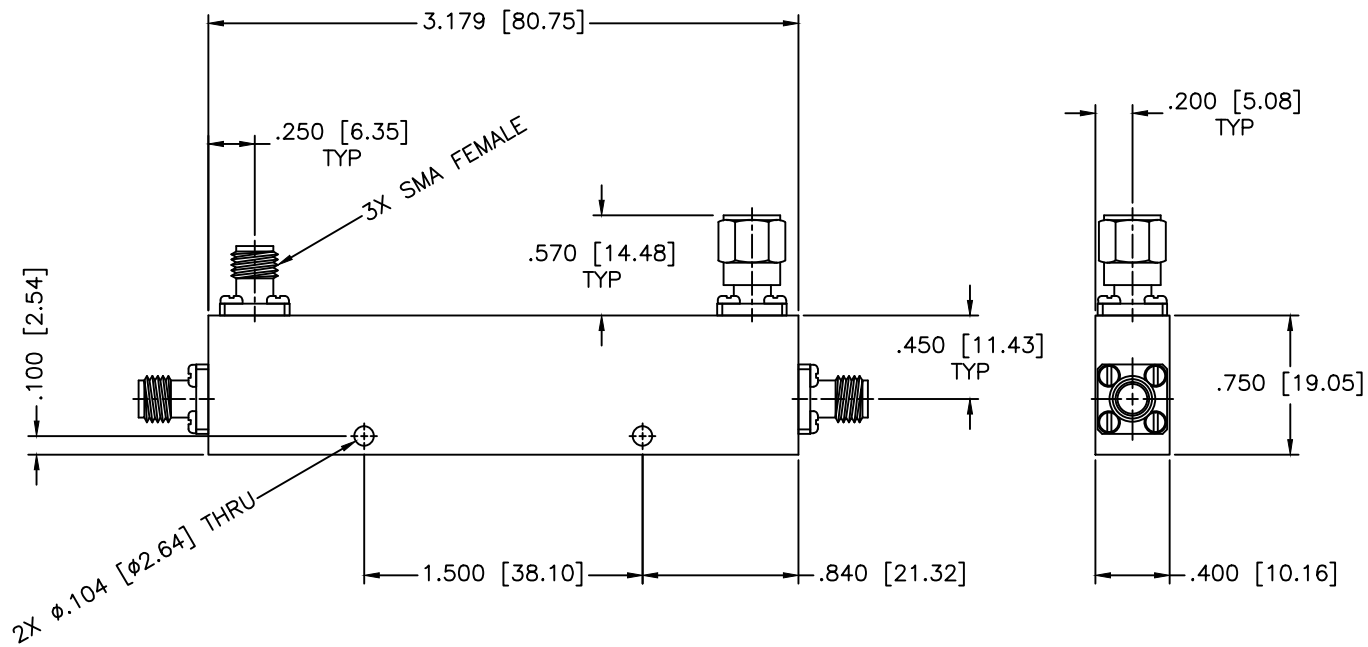


REVISIONS				
ZONE	REV	DESCRIPTION	DATE	APPROVED



SPECIFICATIONS

Frequency Range: 225–400 GHz
 Coupling: 30±1.0dB
 Frequency Sensitivity: ±0.75dB
 Insertion Loss: 0.20dB Max.
 Directivity: 22dB Min.
 VSWR: 1.20:1 Max.
 Power Incident, Reflected: 50W, 50W, 1kW Peak

MATERIAL:			MICROWAVE COMMUNICATIONS LABORATORIES INC. 7255 30TH AVE. N. SAINT PETERSBURG, FL 33710 TEL: (727) 344-6254 FAX: (727) 381-6116 http://WWW.MCLI.COM		SCALE:	N/A
			UNLESS OTHERWISE SPECIFIED: TOLERANCES IN (INCHES) OR [mm] (MILLIMETERS) FRACTIONS: ± 1/64 DECIMALS: ±.01 ±.005 ANGLE: ±1/2°		SHEET:	N/A
DRAWN:		DRAWING TITLE:		DIRECTIONAL COUPLER		
DATE:		PART NO.:		C15-30		
APPROVED:		CAGE CODE:		SIZE:	REV:	DWG NO.:
T. Nguyen		OD2L5		A	N/A	81298
DATE:		THIRD ANGLE PROJECTION		DO NOT SCALE THE DRAWING		
04-20-1999						