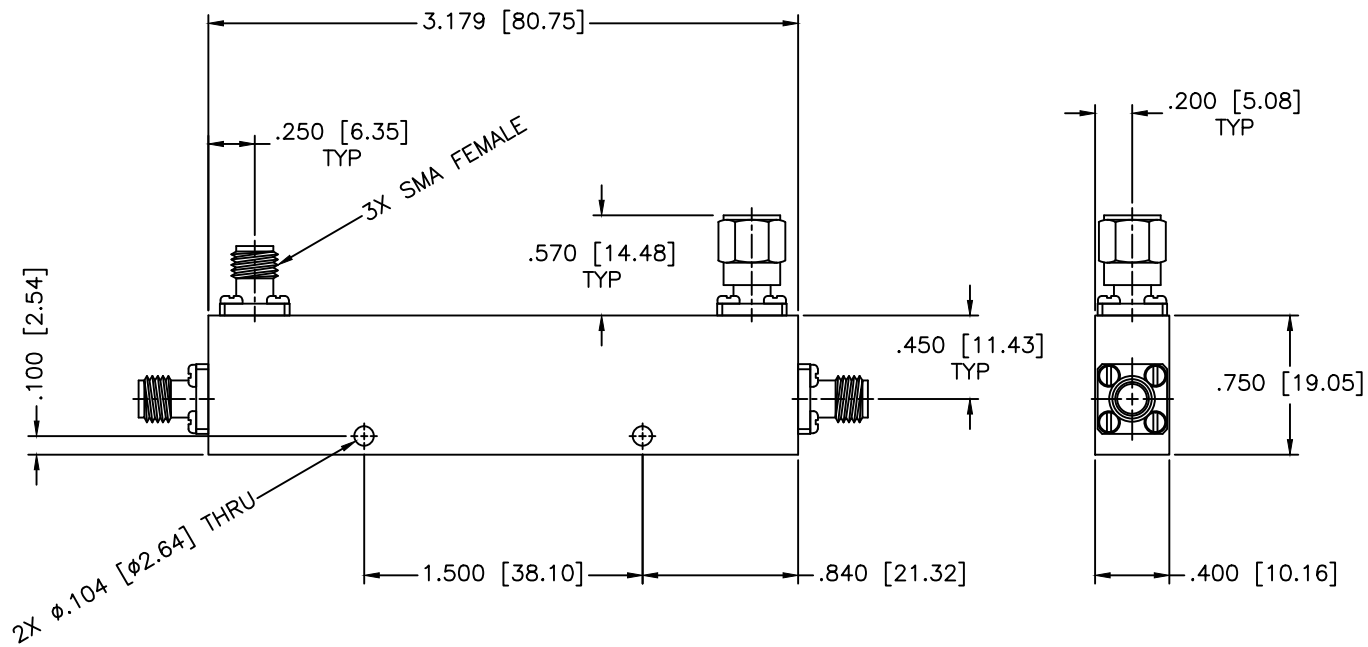


| REVISIONS | | | | |
|-----------|-----|-------------|------|----------|
| ZONE | REV | DESCRIPTION | DATE | APPROVED |



SPECIFICATIONS

Frequency Range: 225–400 GHz
 Coupling: 10±1.0dB
 Frequency Sensitivity: ±0.75dB
 Insertion Loss: 0.90dB Max.
 Directivity: 22dB Min.
 VSWR: 1.20:1 Max.
 Power Incident, Reflected: 50W, 5W, 1kW Peak

| | | | | | |
|---|--|---|--|--------------------------|--------------------------------------|
| MATERIAL: | | | MICROWAVE COMMUNICATIONS LABORATORIES INC. 7255 30TH AVE. N. SAINT PETERSBURG, FL 33710 TEL: (727) 344-6254 FAX: (727) 381-6116 http://WWW.MCLI.COM | | SCALE: N/A |
| UNLESS OTHERWISE SPECIFIED: TOLERANCES IN (INCHES) OR [mm] (MILLIMETERS) FRACTIONS: ± 1/64 DECIMALS: ±.01 ±.005 ANGLE: ±1/2° | | | DRAWING TITLE: DIRECTIONAL COUPLER | | SHEET: N/A |
| DRAWN: Paiboon Luekhamhan | | DATE: 04-20-1999 | | PART NO. C15-10 | |
| APPROVED: T. Nguyen | | DATE: 04-20-1999 | | CAGE CODE: OD2L5 | SIZE: A REV: N/A DWG NO. 81296 |
| | | PROPRIETARY NOTICE: THE INFORMATION IN THIS DRAWING IS PROPRIETARY AND SHALL NOT BE USED OR DISCLOSED WITHOUT WRITTEN PERMISSION FROM MICROWAVE COMMUNICATIONS LABORATORIES INC. (MCLI) | | DO NOT SCALE THE DRAWING | |

