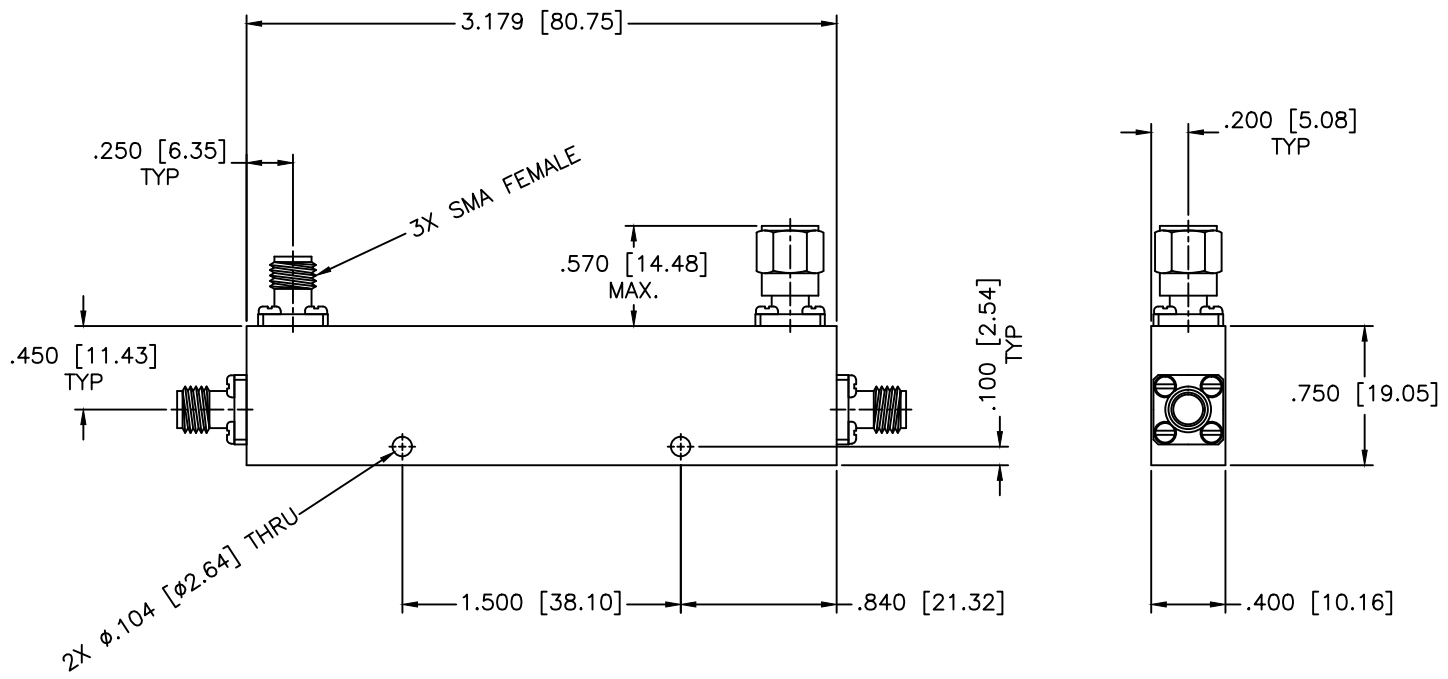


REVISIONS				
ZONE	REV	DESCRIPTION	Date	APPROVED



**SPECIFICATIONS**

- Frequency Range: 0.5–1.0 GHz
- Coupling: 20±1.25dB
- Frequency Sensitivity: ±0.85dB
- Insertion Loss: 0.75dB Max.
- Directivity: 25dB Min.
- VSWR: 1.15:1 Max.
- Power Incident, Reflected: 50W, 50W, 3kW Peak

MATERIAL:			MICROWAVE COMMUNICATIONS LABORATORIES INC. 7255 30TH AVE. N. SAINT PETERSBURG, FL 33710 TEL: (727) 344-6254 FAX: (727) 381-6116 http://WWW.MCLI.COM		SCALE: N/A
			UNLESS OTHERWISE SPECIFIED: TOLERANCES IN (INCHES) OR [mm] (MILLIMETERS) FRACTIONS: ± 1/64 DECIMALS: ±.01 ±.005 ANGLE: ±1/2°		SHEET: N/A
DRAWN: Paiboon Luekhamhan		DATE: 11-10-1997	DRAWING TITLE: DIRECTIONAL COUPLER		
APPROVED: T. Nguyen		DATE: 11-10-1997	PART NO. C145-20		
THIRD ANGLE PROJECTION		CAGE CODE: 0D2L5	SIZE: A	REV: N/A	DWG NO. 81521
		DO NOT SCALE THE DRAWING			