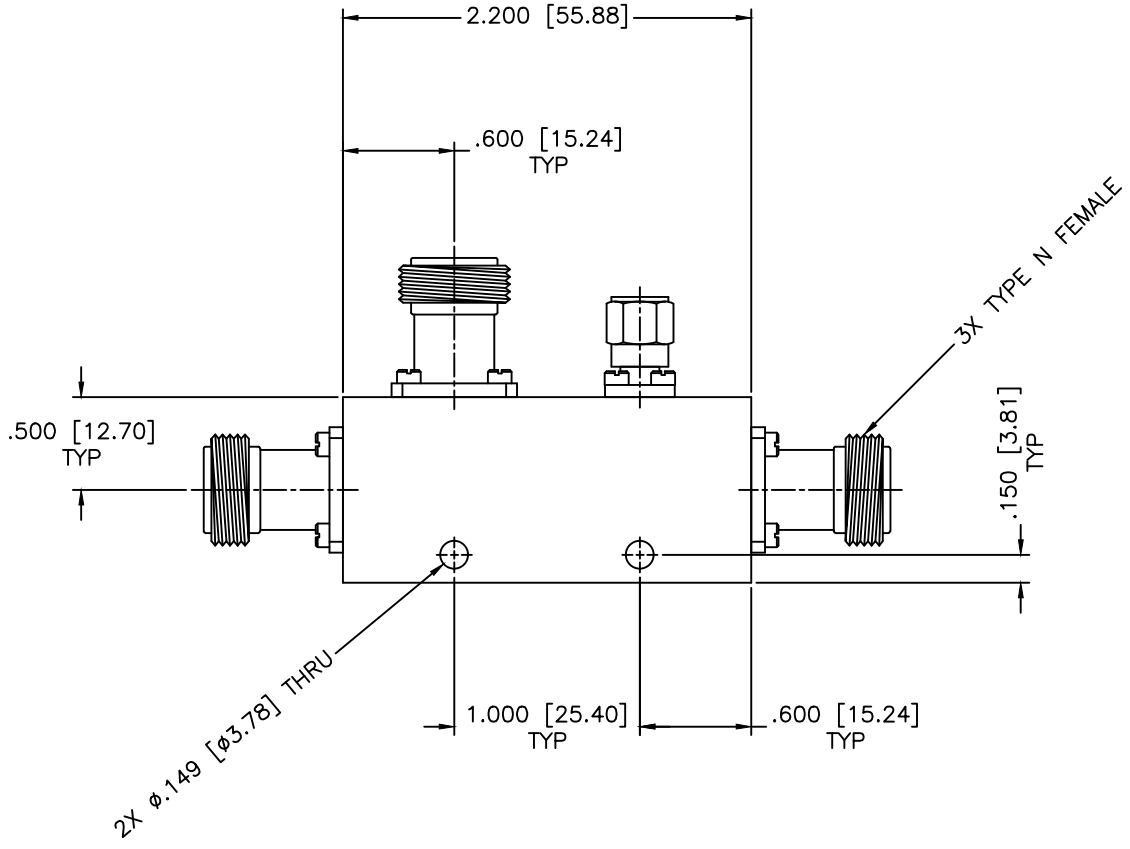
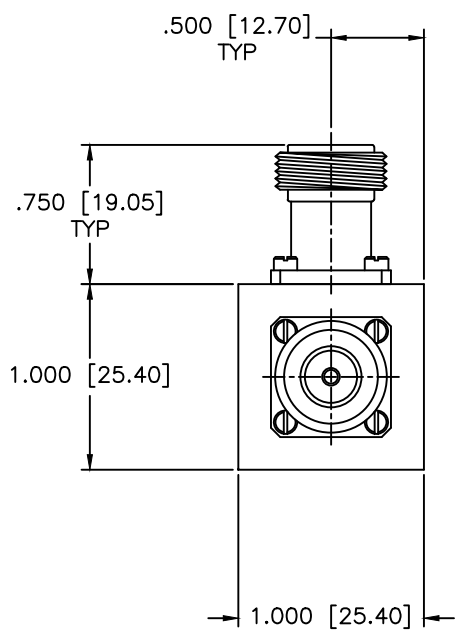


REVISIONS				
ZONE	REV	DESCRIPTION	DATE	APPROVED



SPECIFICATIONS

Frequency Range: 1.5–3 GHz
 Coupling: 20±1.25dB
 Frequency Sensitivity: ±0.85dB
 Insertion Loss: 0.30dB Max.
 Directivity: 17dB Min.
 VSWR: 1.40:1 Max.
 Power Incident, Reflected: 50W, 50W, 1kW Peak

MATERIAL:		MICROWAVE COMMUNICATIONS LABORATORIES INC. 7255 30TH AVE. N. SAINT PETERSBURG, FL 33710 TEL: (727) 344-6254 FAX: (727) 381-6116 http://WWW.MCLI.COM	SCALE:	N/A
			SHEET:	N/A
		UNLESS OTHERWISE SPECIFIED: TOLERANCES IN (INCHES) OR [mm] (MILLIMETERS) FRACTIONS: ± 1/64 DECIMALS: ±.01 ±.005 ANGLE: ±1/2°	DRAWING TITLE: DIRECTIONAL COUPLER	
DRAWN: Paiboon Luekhamhan		DATE: 03-19-2002	PART NO. C13-20/NF	
APPROVED: T. Nguyen		DATE: 03-19-2002	CAGE CODE: OD2L5	SIZE: A REV: N/A DWG NO. 80444
		PROPRIETARY NOTICE: THE INFORMATION IN THIS DRAWING IS PROPRIETARY AND SHALL NOT BE USED OR DISCLOSED WITHOUT WRITTEN PERMISSION FROM MICROWAVE COMMUNICATIONS LABORATORIES INC. (MCLI) THIRD ANGLE PROJECTION 	DO NOT SCALE THE DRAWING	