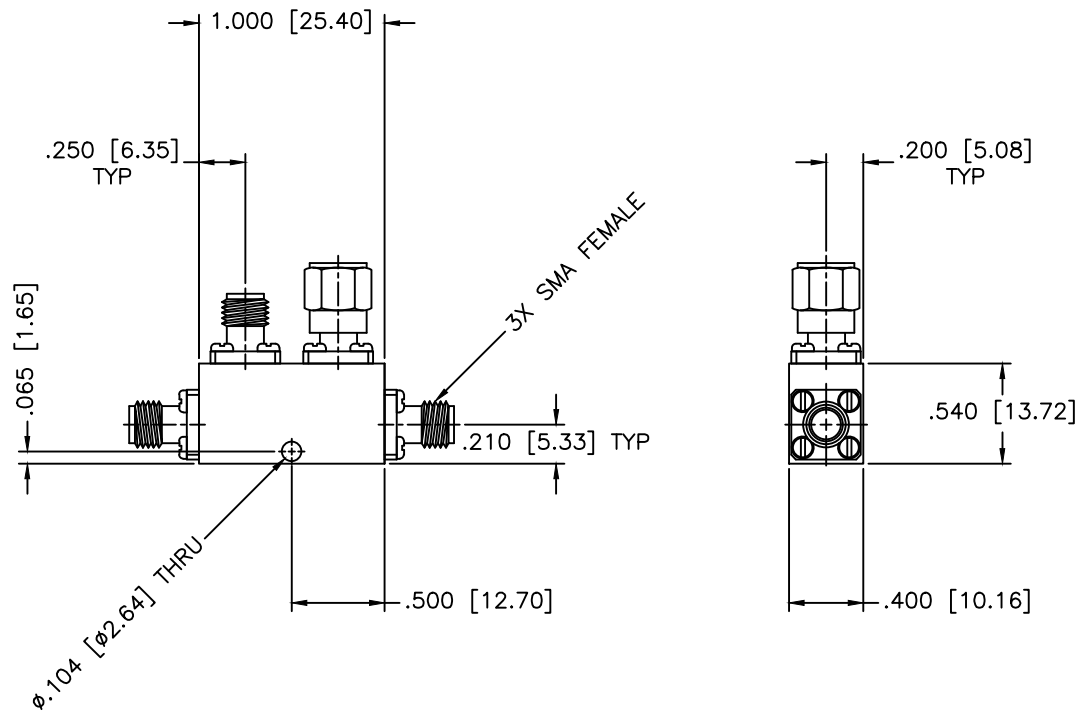


REVISIONS				
ZONE	REV	DESCRIPTION	DATE	APPROVED



SPECIFICATIONS

- Frequency Range: 11.7–12.2 GHz
- Coupling: 30±1.0dB
- Frequency Sensitivity: ±0.5dB
- Insertion Loss: 1.0dB Max.
- Directivity: 15dB Min.
- VSWR: 1.45:1 Max.
- Power: 25W, 1kW Peak

MATERIAL:			MICROWAVE COMMUNICATIONS LABORATORIES INC. 7255 30TH AVE. N. SAINT PETERSBURG, FL 33710 TEL: (727) 344-6254 FAX: (727) 381-6116 http://WWW.MCLI.COM		SCALE: N/A
UNLESS OTHERWISE SPECIFIED: TOLERANCES IN (INCHES) OR [mm] (MILLIMETERS) FRACTIONS: ± 1/64 DECIMALS: ±.01 ±.005 ANGLE: ±1/2°			DRAWING TITLE: DIRECTIONAL COUPLER		SHEET: N/A
DRAWN: Paiboon Luekhamhan		DATE: 01-14-2009		PART NO. C11-30	
APPROVED: T. Nguyen		DATE: 01-14-2009		CAGE CODE: OD2L5	SIZE: A REV: N/A DWG NO. 84058 DO NOT SCALE THE DRAWING

PROPRIETARY NOTICE:
 THE INFORMATION IN THIS DRAWING IS PROPRIETARY
 AND SHALL NOT BE USED OR DISCLOSED WITHOUT WRITTEN
 PERMISSION FROM MICROWAVE COMMUNICATIONS
 LABORATORIES INC. (MCLI)

