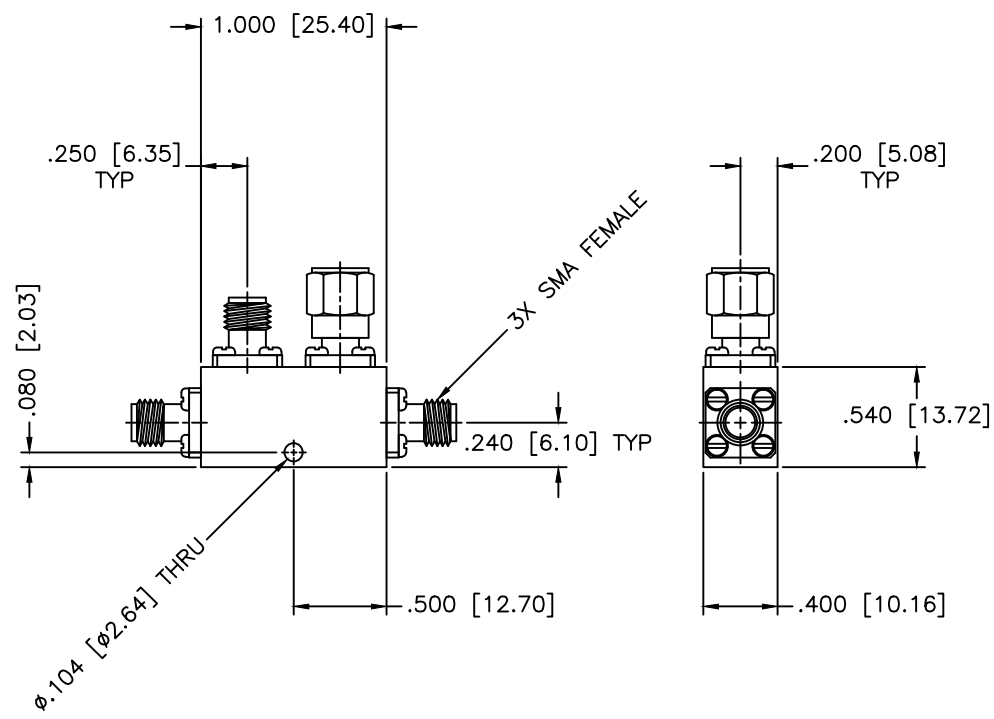


REVISIONS				
ZONE	REV	DESCRIPTION	DATE	APPROVED



**SPECIFICATIONS**

Frequency Range: 12.5–18.5 GHz  
 Coupling:  $6 \pm 1.0$  dB  
 Frequency Sensitivity:  $\pm 0.5$  dB  
 Insertion Loss: 2.0 dB Max.  
 Directivity: 15 dB Min.  
 VSWR: 1.45:1 Max.  
 Power Incident, Reflected: 50W, 2W, 1kW Peak

MATERIAL:		MICROWAVE COMMUNICATIONS LABORATORIES INC. 7255 30TH AVE. N. SAINT PETERSBURG, FL 33710 TEL: (727) 344-6254 FAX: (727) 381-6116 http://WWW.MCLI.COM	SCALE: N/A	
			SHEET: N/A	
UNLESS OTHERWISE SPECIFIED: TOLERANCES IN (INCHES) OR [mm] (MILLIMETERS) FRACTIONS: $\pm 1/64$ DECIMALS: $\pm 0.01 \pm 0.005$ ANGLE: $\pm 1/2^\circ$		DRAWING TITLE: DIRECTIONAL COUPLER		
		PART NO. C107-6		
DRAWN: Paiboon Luekhamhan DATE: 06-22-2011	DATE: 06-22-2011	PROPRIETARY NOTICE: THE INFORMATION IN THIS DRAWING IS PROPRIETARY AND SHALL NOT BE USED OR DISCLOSED WITHOUT WRITTEN PERMISSION FROM MICROWAVE COMMUNICATIONS LABORATORIES INC. (MCLI)	CAGE CODE: OD2L5	SIZE: A REV: N/A DO NOT SCALE THE DRAWING
APPROVED: T. Nguyen	DATE: 06-22-2011	THIRD ANGLE PROJECTION 	DWG NO. 85740	