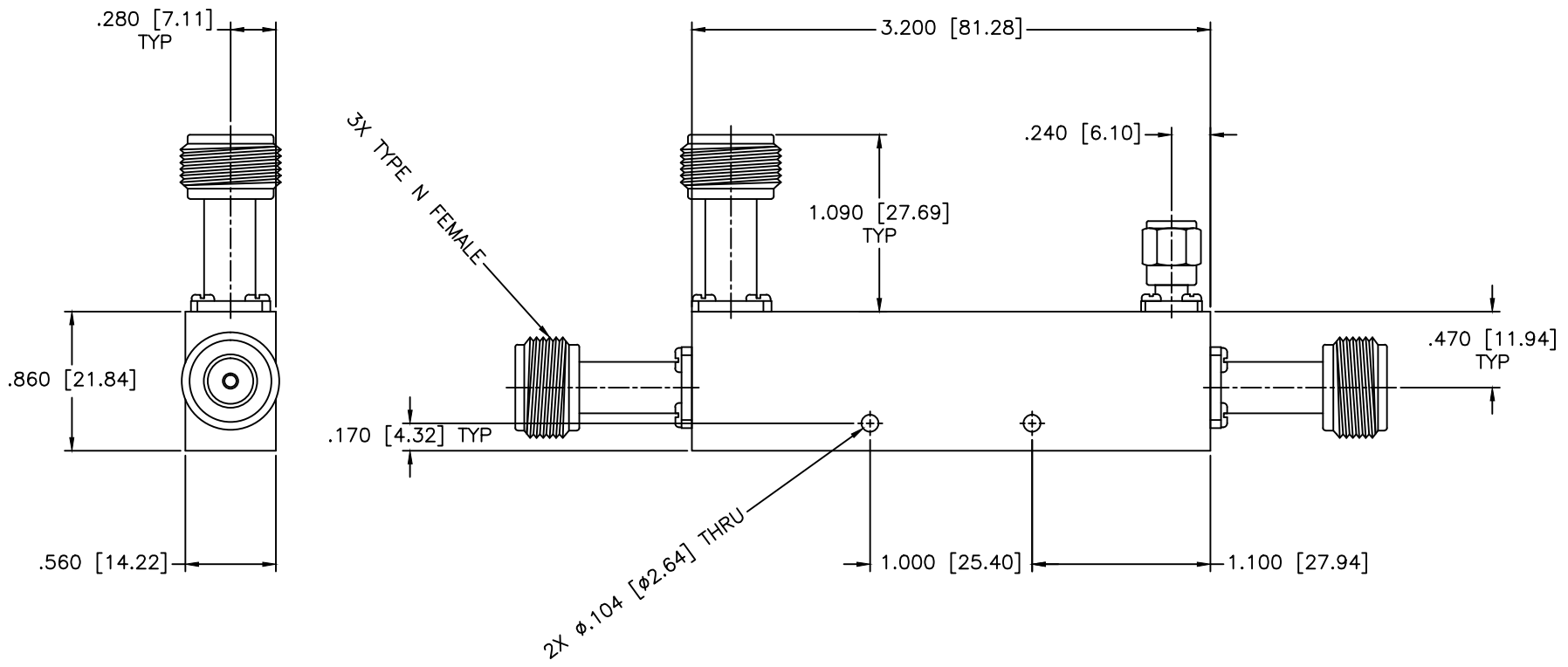


REVISIONS				
ZONE	REV	DESCRIPTION	DATE	APPROVED



SPECIFICATIONS

Frequency Range: 2.9–3.1 GHz
 Coupling: 10±1.0dB
 Insertion Loss: 0.80dB Max.
 VSWR: 1.50:1 Max.
 Flatness: ±0.4dB Max.
 Directivity: 15dB Min.
 Power: 20W, 3kW Peak
 Operating Temperature: -51°C to +68°C

MATERIAL:			MICROWAVE COMMUNICATIONS LABORATORIES INC. 7255 30TH AVE. N. SAINT PETERSBURG, FL 33710 TEL: (727) 344-6254 FAX: (727) 381-6116 http://WWW.MCLI.COM		SCALE:	N/A
			UNLESS OTHERWISE SPECIFIED: TOLERANCES IN (INCHES) OR [mm] (MILLIMETERS) FRACTIONS: ± 1/64 DECIMALS: ±.02 ±.010 ANGLE: ±1/2°	DRAWING TITLE:		SHEET:
			DIRECTIONAL COUPLER, COAXIAL			
			PART NO.		C106-10/NF	
DRAWN:	DATE:	PROPRIETARY NOTICE: THE INFORMATION IN THIS DRAWING IS PROPRIETARY AND SHALL NOT BE USED OR DISCLOSED WITHOUT WRITTEN PERMISSION FROM MICROWAVE COMMUNICATIONS LABORATORIES INC. (MCLI)	CAGE CODE:	SIZE:	REV:	DWG NO.
APPROVED:	DATE:		OD2L5	A	N/A	85685
		THIRD ANGLE PROJECTION	DO NOT SCALE THE DRAWING			