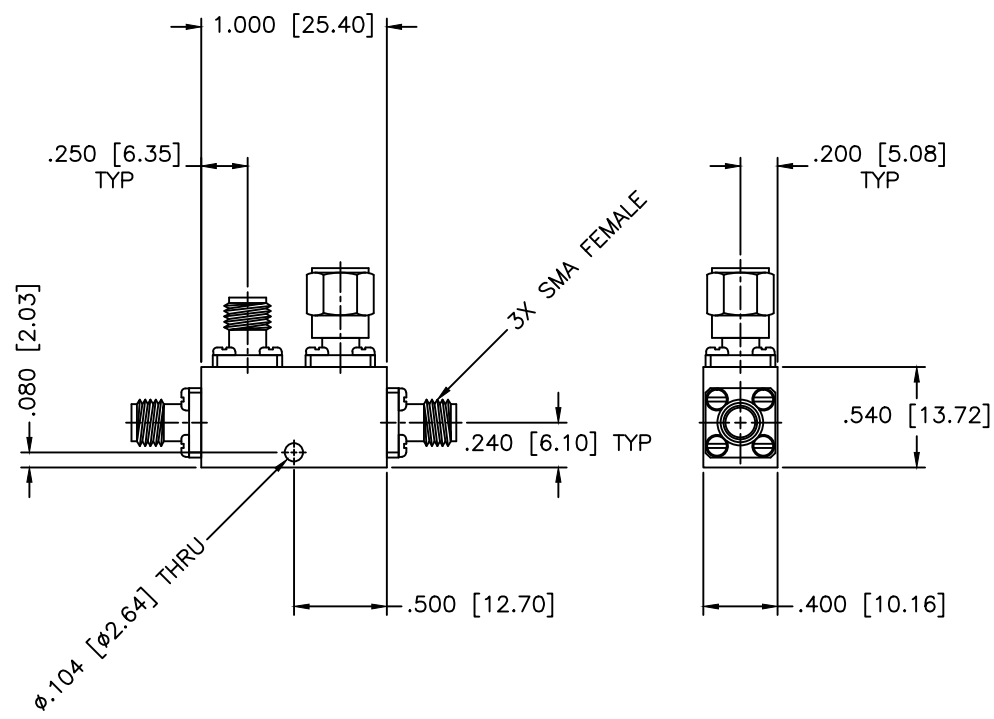


REVISIONS				
ZONE	REV	DESCRIPTION	DATE	APPROVED



SPECIFICATIONS

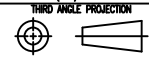
Frequency Range: 10–15 GHz
 Coupling: 30±1.25dB
 Frequency Sensitivity: ±0.75dB
 Insertion Loss: 0.5dB Max.
 Directivity: 15dB Min.
 VSWR: 1.40:1 Max.
 Power Incident, Reflected: 50W, 50W, 3kW Peak

MATERIAL:		MICROWAVE COMMUNICATIONS LABORATORIES INC. 7255 30TH AVE. N. SAINT PETERSBURG, FL 33710 TEL: (727) 344-6254 FAX: (727) 381-6116 http://WWW.MCLI.COM	SCALE:	N/A
			SHEET:	N/A
UNLESS OTHERWISE SPECIFIED: TOLERANCES IN (INCHES) OR [mm] (MILLIMETERS) FRACTIONS: ± 1/64 DECIMALS: ±.02 ±.008 ANGLE: ±1/2°		DRAWING TITLE:		
		DIRECTIONAL COUPLER		
DRAWN:		PART NO.		
DATE:		C105-30		
APPROVED:		CAGE CODE:	SIZE:	REV:
DATE:		OD2L5	A	N/A
		DO NOT SCALE THE DRAWING		DWG NO.
				86525



UNLESS OTHERWISE SPECIFIED:
 TOLERANCES
 IN (INCHES) OR [mm] (MILLIMETERS)
 FRACTIONS: ± 1/64
 DECIMALS: ±.02 ±.008
 ANGLE: ±1/2°

PROPRIETARY NOTICE:
 THE INFORMATION IN THIS DRAWING IS PROPRIETARY
 AND SHALL NOT BE USED OR DISCLOSED WITHOUT WRITTEN
 PERMISSION FROM MICROWAVE COMMUNICATIONS
 LABORATORIES INC. (MCLI)



DRAWING TITLE:
 DIRECTIONAL COUPLER

PART NO.
 C105-30

CAGE CODE: OD2L5
 SIZE: A
 REV: N/A
 DWG NO. 86525

DO NOT SCALE THE DRAWING