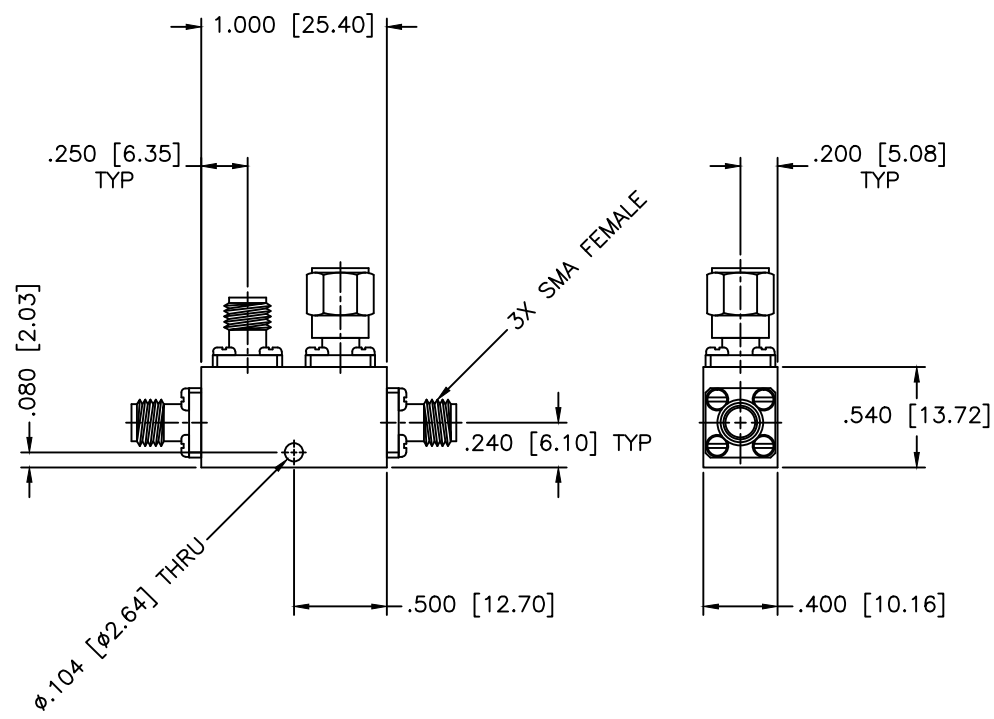


REVISIONS				
ZONE	REV	DESCRIPTION	DATE	APPROVED



**SPECIFICATIONS**

Frequency Range: 10–14 GHz  
 Coupling:  $10 \pm 1.25$  dB  
 Frequency Sensitivity:  $\pm 0.75$  dB  
 Insertion Loss: 1.0 dB Max.  
 Directivity: 15 dB Min.  
 VSWR: 1.40:1 Max.  
 Power Incident, Reflected: 50W, 5W, 2kW Peak

MATERIAL:		MICROWAVE COMMUNICATIONS LABORATORIES INC. 7255 30TH AVE. N. SAINT PETERSBURG, FL 33710 TEL: (727) 344-6254 FAX: (727) 381-6116 http://WWW.MCLI.COM	SCALE:	N/A
			SHEET:	N/A
		UNLESS OTHERWISE SPECIFIED: TOLERANCES IN (INCHES) OR [mm] (MILLIMETERS) FRACTIONS: $\pm 1/64$ DECIMALS: $\pm 0.01 \pm 0.005$ ANGLE: $\pm 1/2^\circ$	DRAWING TITLE: <b>DIRECTIONAL COUPLER</b>	
		PROPRIETARY NOTICE: THE INFORMATION IN THIS DRAWING IS PROPRIETARY AND SHALL NOT BE USED OR DISCLOSED WITHOUT WRITTEN PERMISSION FROM MICROWAVE COMMUNICATIONS LABORATORIES INC. (MCLI)	PART NO. <b>C105-10</b>	
DRAWN: Paiboon Luekhamhan	DATE: 03-31-2011	THIRD ANGLE PROJECTION 	CAGE CODE:	SIZE: A
APPROVED: T. Nguyen	DATE: 03-31-2011		OD2L5	REV: N/A
			DO NOT SCALE THE DRAWING	