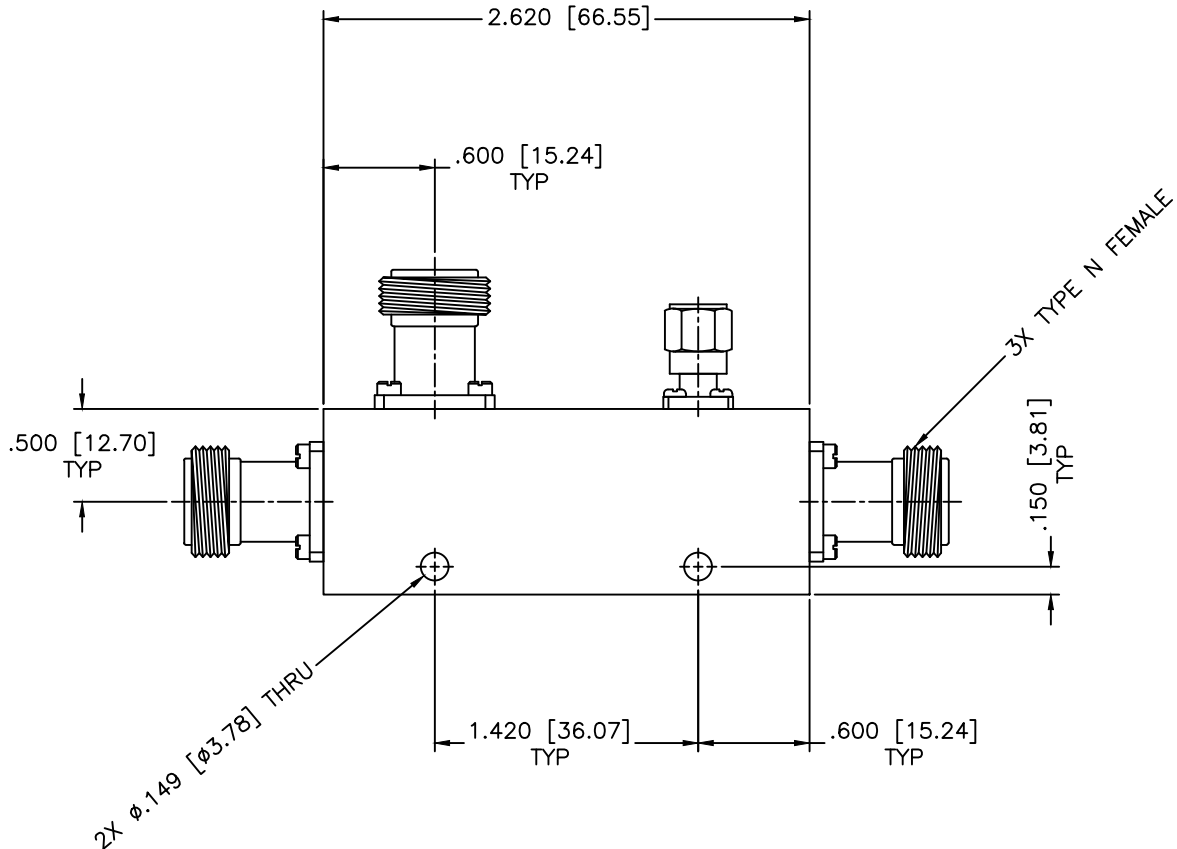
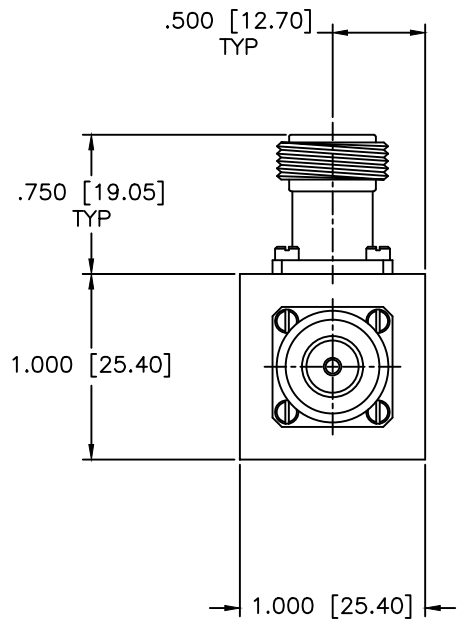


REVISIONS				
ZONE	REV	DESCRIPTION	DATE	APPROVED



SPECIFICATIONS

Frequency Range: 10–13 GHz
 Coupling: 10±1.25dB
 Frequency Sensitivity: ±0.5dB
 Insertion Loss: 1.4dB Max.
 Directivity: 14dB Min.
 VSWR: 1.65:1 Max.
 Power Incident, Reflected: 50W, 5W, 1kW Peak

MATERIAL:			MICROWAVE COMMUNICATIONS LABORATORIES INC. 7255 30TH AVE. N. SAINT PETERSBURG, FL 33710 TEL: (727) 344-6254 FAX: (727) 381-6116 http://WWW.MCLI.COM		SCALE: N/A
			UNLESS OTHERWISE SPECIFIED: TOLERANCES IN (INCHES) OR [mm] (MILLIMETERS) FRACTIONS: ± 1/64 DECIMALS: ±.01 ±.005 ANGLE: ±1/2°		SHEET: N/A
DRAWING TITLE:		DIRECTIONAL COUPLER			
PART NO.:		C101-10/NF			
DRAWN: Paiboon Luekhamhan	DATE: 11-14-1997	PROPRIETARY NOTICE: THE INFORMATION IN THIS DRAWING IS PROPRIETARY AND SHALL NOT BE USED OR DISCLOSED WITHOUT WRITTEN PERMISSION FROM MICROWAVE COMMUNICATIONS LABORATORIES INC. (MCLI)		CAGE CODE: OD2L5	SIZE: A REV: N/A DWG NO. 80488
APPROVED: T. Nguyen	DATE: 11-14-1997	THIRD ANGLE PROJECTION 		DO NOT SCALE THE DRAWING	