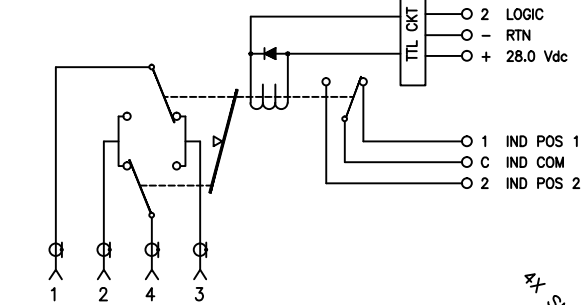
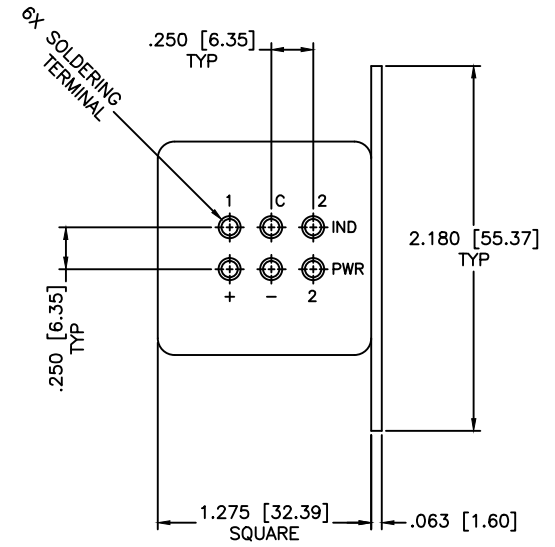
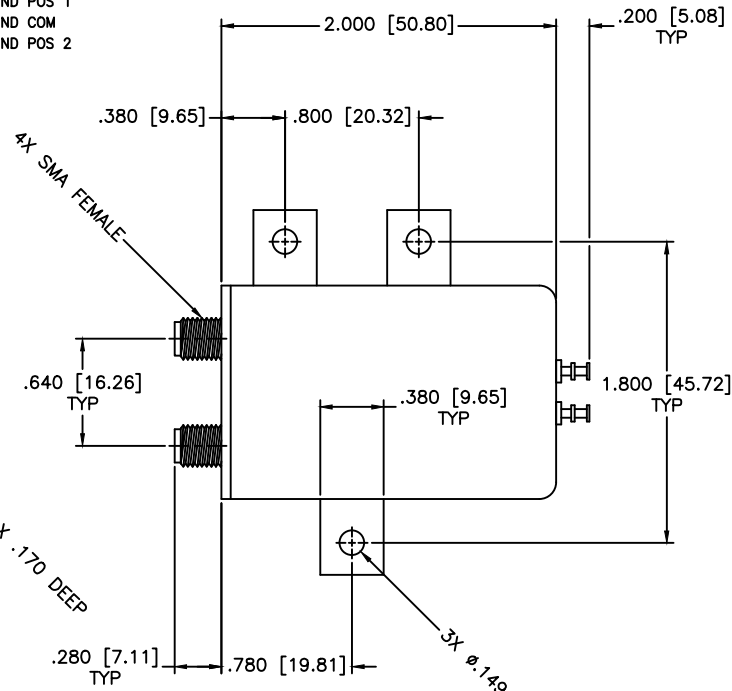
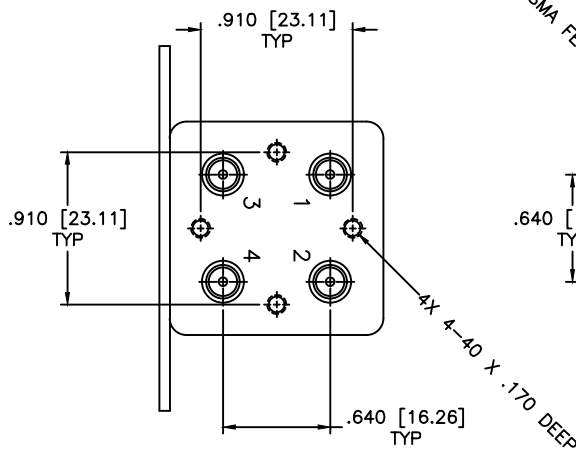


SCHEMATIC
FAILSAFE, INDICATOR, TTL, SUPPRESSION DIODE



POS 1 NORMALLY CLOSED
POS 1 (1-3 & 2-4)
POS 2 (1-2 & 3-4)



SPECIFICATIONS

FREQUENCY RANGE: DC-26.5 GHz
VSWR: 1.60:1 MAX.
INSERTION LOSS: 0.70dB MAX.
ISOLATION: 50dB MIN.

MECHANICAL

CONTACT: BREAK BEFORE MAKE
ACTUATOR: FAILSAFE
SWITCHING SPEED: 20 mSEC MAX

ELECTRICAL

ACTUATOR VOLTAGE: 28.0±3.0 Vdc
ACTUATOR CURRENT: 190mA MAX @ 28.0 Vdc
POWER HANDLING: 200W CW @ 1.0GHz
IMPEDANCE: 50 Ohms

ENVIRONMENTAL

OPERATING TEMP: -54°C to +90°C
SINE VIBRATION: 30 G'S rms
LIFE: 1,000,000 CYCLES
RANDOM VIBRATION: 20 G'S rms

| REVISIONS | | | | |
|-----------|-----|-------------|------|----------|
| ZONE | REV | DESCRIPTION | Date | APPROVED |

| | |
|---------------------------|--|
| MATERIAL: | |
| DRAWN: Paiboon Luexhamhan | |
| DATE: 03-31-2001 | |
| APPROVED: T. Nguyen | |
| DATE: 03-31-2001 | |

| | | | |
|---|--|----------|---------------|
| | MICROWAVE COMMUNICATIONS LABORATORIES INC. 7255 30TH AVE. N. SAINT PETERSBURG, FL 33710 TEL: (727) 344-6254 FAX: (727) 381-6116 http://WWW.MCLI.COM | | SCALE: N/A |
| | UNLESS OTHERWISE SPECIFIED: TOLERANCES IN (INCHES) OR [mm] (MILLIMETERS) FRACTIONS: ± 1/64 DECIMALS: ±.02 ±.009 ANGLE: ±1/2° | | SHEET: N/A |
| DRAWING TITLE: ELECTROMECHANICAL SWITCHES | | | |
| PART NO. C1-8-FILS | | | |
| CAGE CODE: OD2L5 | SIZE: N/A | REV: N/A | DWG NO. 81619 |
| DO NOT SCALE THE DRAWING | | | |