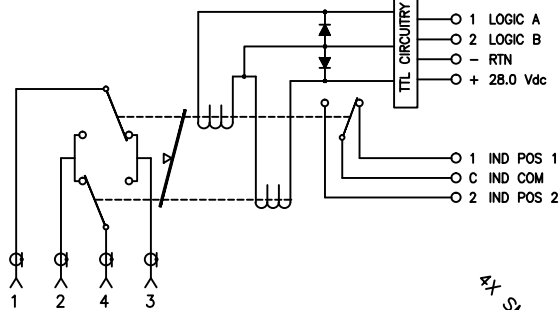
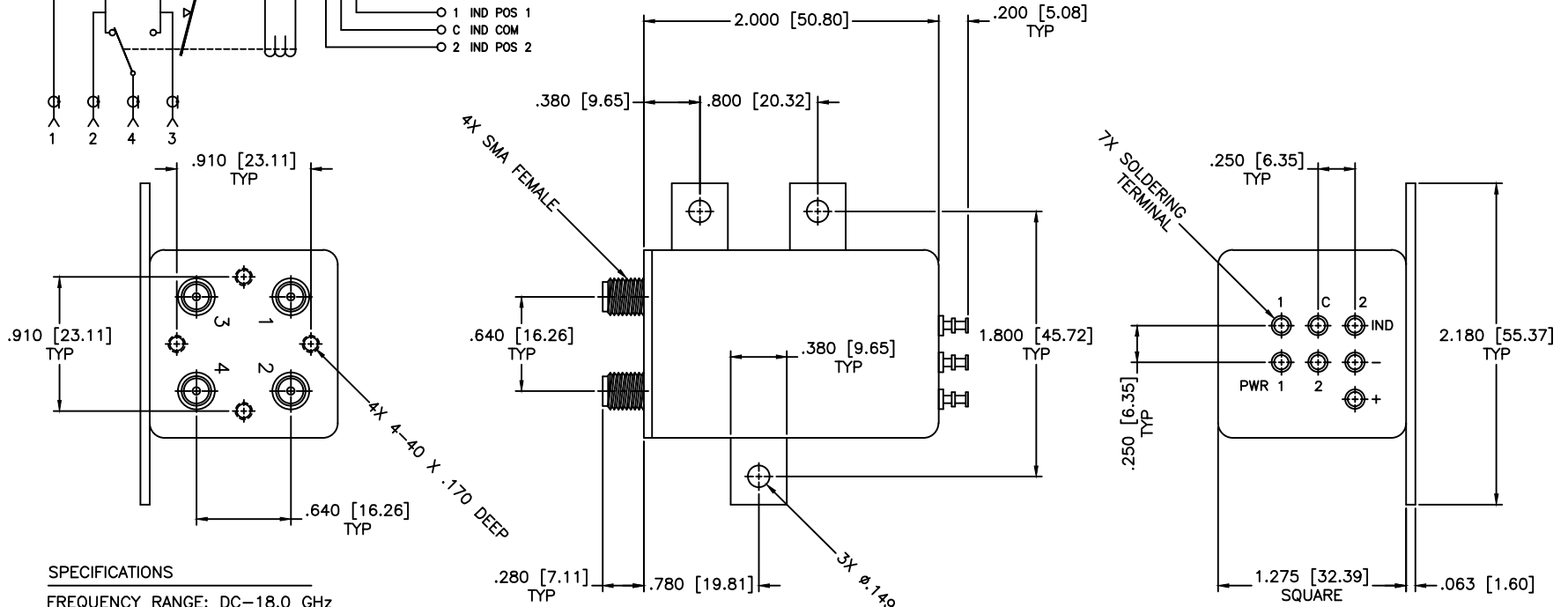


SCHEMATIC
LATCHING, TTL, INDICATOR, SUPPRESSION DIODE



POS 1 NORMALLY CLOSED
POS 1 { 1-3 & 2-4 }
POS 2 { 1-2 & 3-4 }

| REVISIONS | | | | |
|-----------|-----|-------------|------|----------|
| ZONE | REV | DESCRIPTION | Date | APPROVED |
| | | | | |



SPECIFICATIONS

FREQUENCY RANGE: DC-18.0 GHz
VSWR: 1.50:1 MAX.
INSERTION LOSS: 0.50dB MAX.
ISOLATION: 60dB MIN.

MECHANICAL

CONTACT: BREAK BEFORE MAKE
ACTUATOR: LATCHING
SWITCHING SPEED: 20 mSEC MAX

ELECTRICAL

ACTUATOR VOLTAGE: 28.0±3.0 Vdc
ACTUATOR CURRENT: 125mA MAX @ 28.0 Vdc
POWER HANDLING: 200W CW @ 1.0GHz
IMPEDANCE: 50 Ohms

ENVIRONMENTAL

OPERATING TEMP: -54°C to +90°C
SINE VIBRATION: 30 G'S rms
LIFE: 1,000,000 CYCLES
RANDOM VIBRATION: 20 G'S rms

| | |
|------------------------------|---------------------|
| MATERIAL: | |
| DRAWN: Paiboon Luekhamhan | DATE: 03-31-2001 |
| APPROVED: T. Nguyen | DATE: 03-31-2001 |

| | |
|--|------------------|
| <p>MICROWAVE COMMUNICATIONS LABORATORIES INC. 7255 30TH AVE. N. SAINT PETERSBURG, FL 33710 TEL: (727) 344-6254 FAX: (727) 381-6116 http://WWW.MCLI.COM</p> | SCALE: N/A |
| | SHEET: N/A |
| <p>UNLESS OTHERWISE SPECIFIED: TOLERANCES IN (INCHES) OR [mm] (MILLIMETERS) FRACTIONS: ± 1/64 DECIMALS: ±.02 ±.009 ANGLE: ±1/2°</p> | |
| DRAWING TITLE: ELECTROMECHANICAL SWITCHES | |
| PART NO. C1-7-LLIS | |
| CAGE CODE: OD2L5 | SIZE: N/A |
| REV: N/A | DWG NO. 85980 |
| DO NOT SCALE THE DRAWING | |

THIRD ANGLE PROJECTION