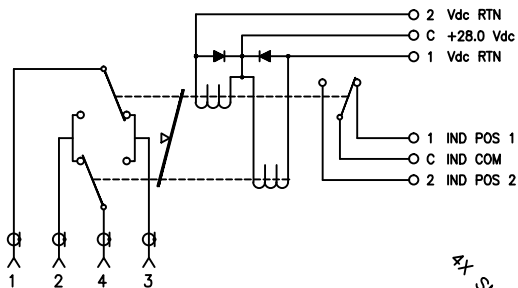
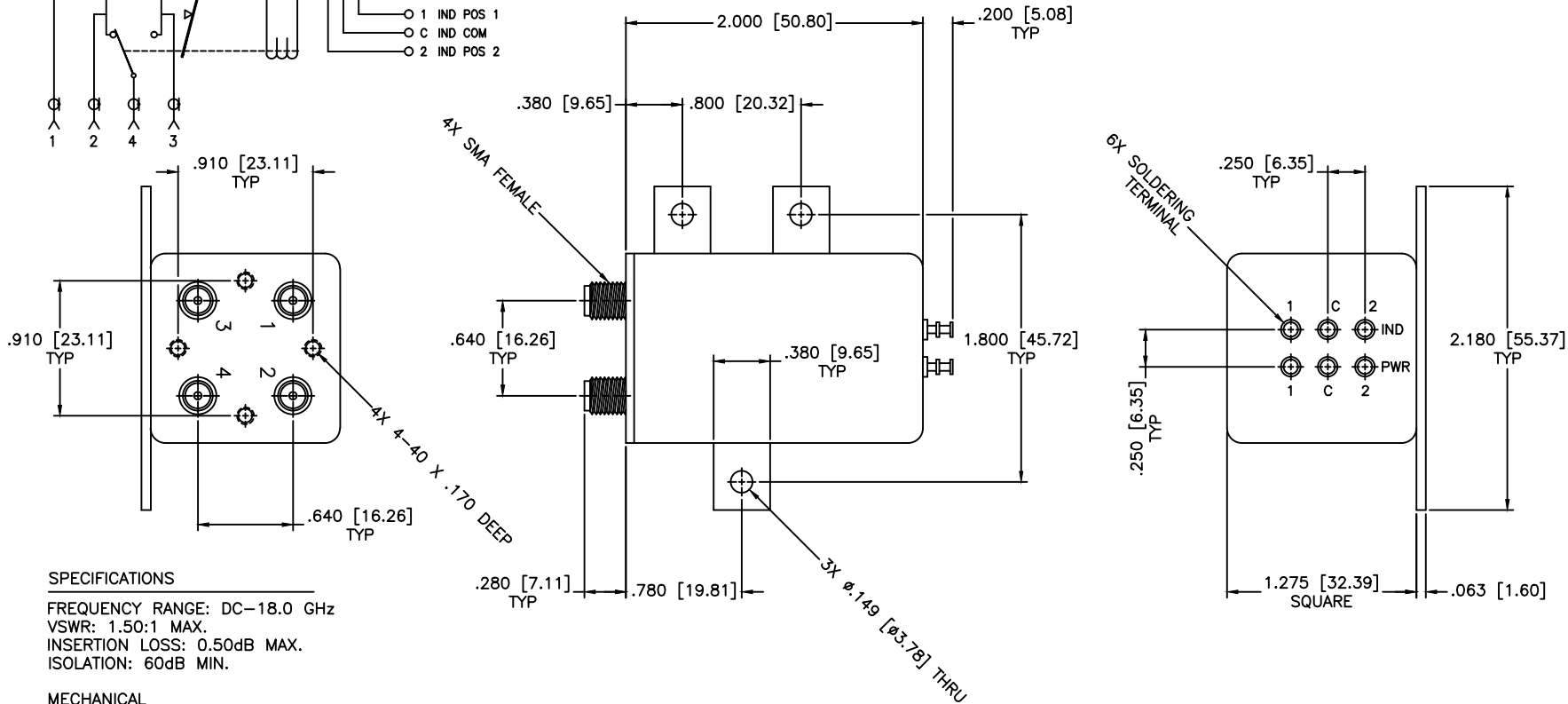


SCHEMATIC
LATCHING, INDICATOR, SUPPRESSION DIODE



POS 1 NORMALLY CLOSED
POS 1 { 1-3 & 2-4 }
POS 2 { 1-2 & 3-4 }

| REVISIONS | | | | |
|-----------|-----|-------------|------|----------|
| ZONE | REV | DESCRIPTION | Date | APPROVED |
| | | | | |



SPECIFICATIONS

FREQUENCY RANGE: DC-18.0 GHz
VSWR: 1.50:1 MAX.
INSERTION LOSS: 0.50dB MAX.
ISOLATION: 60dB MIN.

MECHANICAL

CONTACT: BREAK BEFORE MAKE
ACTUATOR: LATCHING
SWITCHING SPEED: 20 mSEC MAX

ELECTRICAL

ACTUATOR VOLTAGE: 28.0±3.0 Vdc
ACTUATOR CURRENT: 125mA MAX @ 28.0 Vdc
POWER HANDLING: 200W CW @ 1.0GHz
IMPEDANCE: 50 Ohms

ENVIRONMENTAL

OPERATING TEMP: -54°C to +90°C
SINE VIBRATION: 30 G'S rms
LIFE: 1,000,000 CYCLES
RANDOM VIBRATION: 20 G'S rms

| | |
|------------------------------|---------------------|
| MATERIAL: | |
| DRAWN: Paiboon Luekhamhan | DATE: 03-31-2001 |
| APPROVED: T. Nguyen | DATE: 03-31-2001 |



MICROWAVE COMMUNICATIONS LABORATORIES INC.
7255 30TH AVE. N. SAINT PETERSBURG, FL 33710
TEL: (727) 344-6254 FAX: (727) 381-6116
http://WWW.MCLI.COM

| | |
|--------|-----|
| SCALE: | N/A |
| SHEET: | N/A |

UNLESS OTHERWISE SPECIFIED:
TOLERANCES
IN (INCHES) OR [mm] (MILLIMETERS)
FRACTIONS: ± 1/64
DECIMALS: ±.02 ±.009
ANGLE: ±1/2°

DRAWING TITLE:
ELECTROMECHANICAL SWITCHES

PART NO.
C1-7-LIS/28P

THIRD ANGLE PROJECTION

| | | | |
|--------------------------|--------------|-------------|------------------|
| CAGE CODE: OD2L5 | SIZE: N/A | REV: N/A | DWG NO. 82260 |
| DO NOT SCALE THE DRAWING | | | |